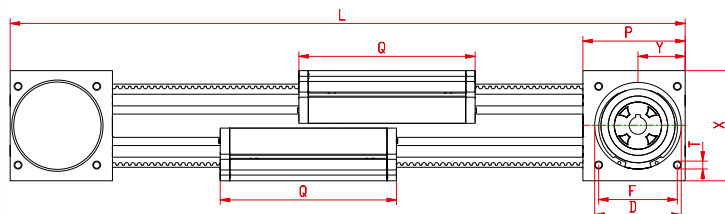
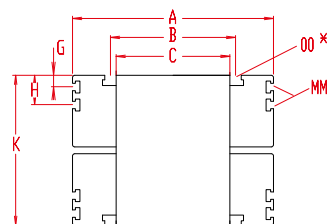
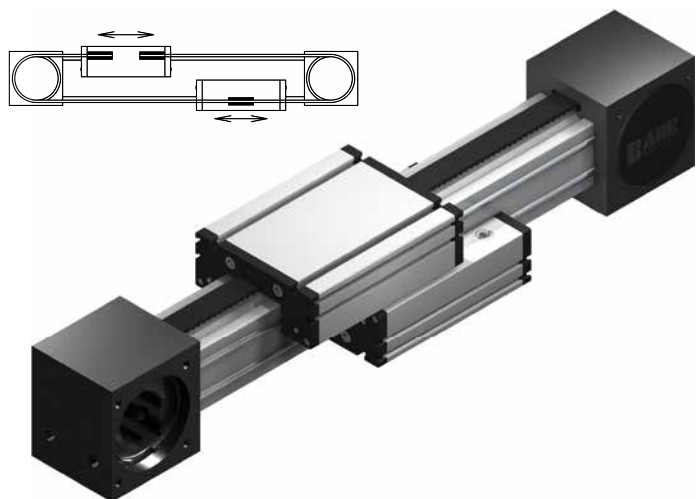


TOOTHED BELT DRIVE WITH REVOLVING TOOTHED BELT



Increasing the carriage length will increase the basic length by the same amount.

Size □	Basic length L	A	B	C	D -0,05	F	G	H	K	MM for	OO for	P	Q	T	X	Y	Basic weight	Weight per 100 mm
ELZG 30	195	70	56	48	47	42	-	-	52	-	M 6	55	82	M 6	52	27	1,1 kg	0,13 kg
ELZG 40	265	100	66	60	55	55	-	-	70	-	M 6	70	122	M 6	70	33	4,0 kg	0,29 kg
ELZG 60	365	144	96	88	80	70	-	-	98	-	M 8	95	168	M 8	98	46	10,3 kg	0,65 kg
ELZG 60S	390	170	108	88	80	70	-	-	106	-	M 8	95	194	M 8	98	46	12,3 kg	0,65 kg
ELZG 80	460	170	117	118	110	100	10,5	30,5	140	M 6	M 10	130	194	M 10	140	60	20,5 kg	1,15 kg
ELZG 80S	480	190	126	118	110	100	12,5	30	142	M 6	M 8	130	214	M 10	140	60	21,5 kg	1,15 kg

0 Choice of guide body profile:

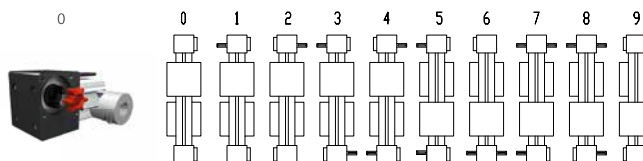
- (0) Standard (2) corrosion-protected guide rods and screws
- (4) expanded corrosion-protected version (depending on the availability of components)

0 Choice of carriages:



For standard carriage length see 'Q' in table. The carriages can be delivered in any non-standard length upon request; the longer the carriage, the higher the load capacity.

0 Drive version:



Version 9 is the same as 0, but with double sided coupling claw.

The standard version is supplied without shaft. A shaft can be retrofitted by inserting it into the pulley bore and securing it with 2 locking rings or tension sets (size 80).

Belt table:

Code No.	Size	Belt	mm/rev.	Number of teeth
0 1	30	3M12	120	40
0 3	40	5M15	160	32
0 4	60 (S)	5M25	220	44
0 7	80 (S)	8M30	320	40

Shaft dimensions / Coupling claw:

Size	Shaft Ø h6 x length	Key	Coupling
30	10 x 27	3x3x25	9
40	14 x 35	5x5x28	14
60 (S)	18 x 45	6x6x40	19
80 (S)	22 x 45	6x6x40	24

ELZG 40 1 0 0 0 0 3 1 1500

Pos. 1 2 3 4 5 6 7

Basic length + stroke = total length

Sample ordering code:

ELZG 40, standard body profile, standard carriage and coupling claw on one side, 1235 mm stroke.