

# TMH29

series



## Product Segments

- **Care Motion**

The TMH29 is a medical control specially designed for pool lift applications. Its utilitarian construction make it an ideal control for individuals with musculoskeletal conditions, which make traditional handsets difficult and challenging to operate. The TMH29 easily allows the user to simply waive the bracelet over the receiver to actuate the system up or down.

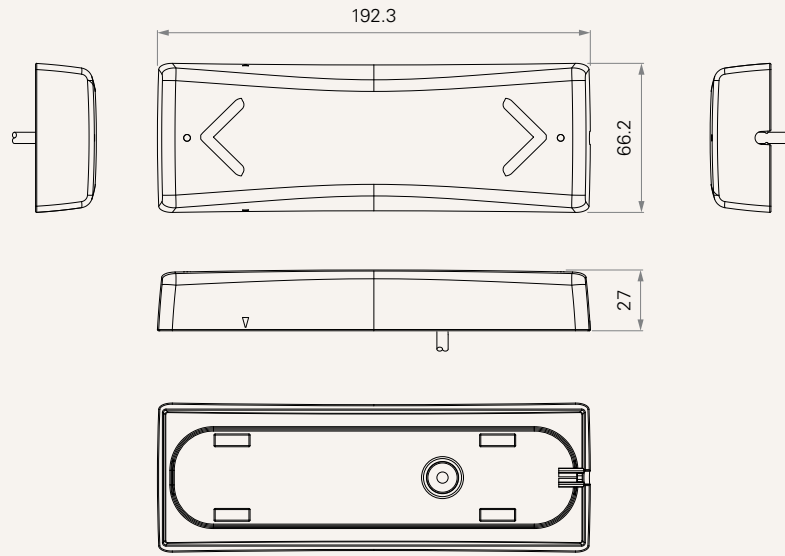
### General Features

Max. available buttons	2
Color	Grey
IP rating	IP66
Options	Bracelet, holder
Wireless support	Available
Operational temperature range	+5°C~+45°C

A medical control specially designed for pool lift applications

**Drawing**

Standard Dimensions  
(mm)



<b>Frequency</b>	4 = 125kHz square wave		
<b>MCU</b>	1 = With		
<b>Contol Box Type</b>	1 = With MCU (TC12 & TC20)		
<b>Button Definition</b>	See appendix* Note: please contact TiMOTION before making an order		
<b>Color (Upper Cover)</b>	2 = 428C		
<b>Color (Bottom Cover)</b>	2 = 428C		
<b>Holder</b>	0 = Without	1 = With, Zip tie	2 = With, Screw
<b>Buzzer</b>	0 = Without		
<b>LED</b>	1 = With		
<b>Bracelet Logo</b>	0 = Without	1 = Timotion	
<b>Bracelet</b>	0 = Without	1 = White S, length 210mm 2 = White S, length 280mm	
<b>Number of Bracelets</b>	XX = 00-99		
<b>Plug</b>	9 = Din13P, 180°		
<b>Cable Length</b>	1-6 = See appendix* Note: please contact TiMOTION before making an order		
<b>IP Rating</b>	2 = IP54	3 = IP66	

### Terms of Use

The user is responsible for determining the suitability of TiMOTION products for a specific application. TiMOTION products are subject to change without prior notice.