

TMH26

series



Product Segments

- **Care Motion**

The TMH26 is a distinctive medical hand control specially designed as an electronic quick release. Its big and intuitive manual CPR lever is easy to operate. Triggering its CPR lever can swiftly engage the quick-release action on the medical bed.

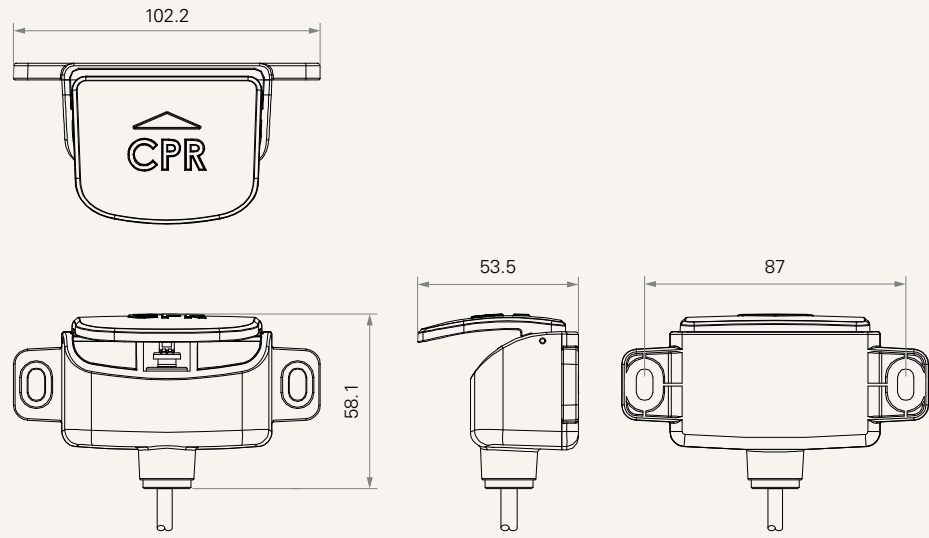
The TMH26 is compatible with select configurations of the TA31 actuator.

General Features

Color	Case: White; CPR toggle switch: Red
IP rating	IP66W
Direct cut support	Available
Operational temperature range	+5°C~+45°C
Special design for quick release functionality	

Drawing

Standard Dimensions
(mm)

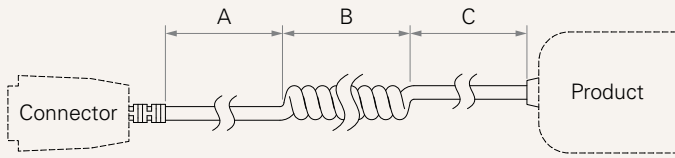


TMH26

Version: 20220623-C

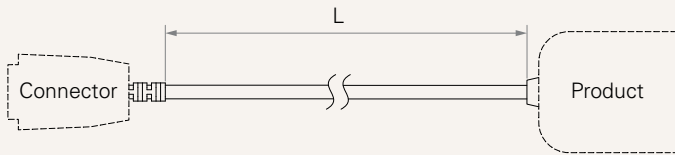
MCU	0 = Without		
Communication Type	1 = Direct Cut		
Button Definition	1 = Retract		
Button Icon	1 = CPR		
Plug	2 = Long DIN 5P	4 = Din6P	
Plug Angle	1 = 90°	2 = 180°	
Cable Length (mm)	See page 4		
Color	2 = Standard (Main: WhiteS; CPR: 1788C)		
IP Rating	2 = IP54	3 = IP66	4 = IP66W

Cable Length



Cable Section (mm)

CODE	A	B	C	L
1	0	0	0	1000
2	1200	300	300	-
3	1400	300	400	-
4	1000	300	200	-



Terms of Use

The user is responsible for determining the suitability of TiMOTION products for a specific application. TiMOTION products are subject to change without prior notice.