

TJB10

series



Product Segments

- **Comfort Motion**

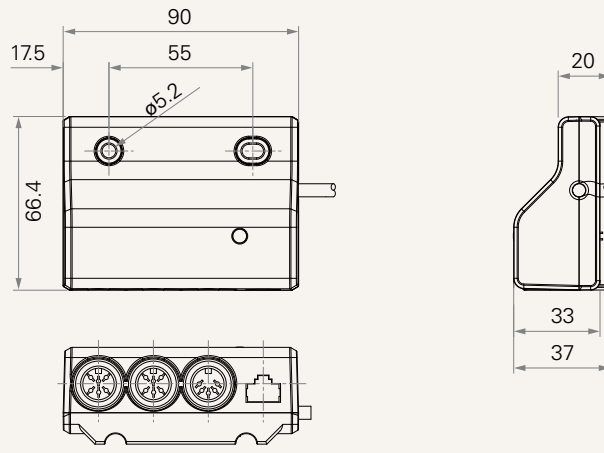
General Features

A signal switch box	
Connect actuators	1~2
Connect hand control	1

TJB10 Series

Drawing

Standard Dimensions
(mm)



DC Power Input Voltage	2 = 24V DC	
DC Power Input Connector	5 = Short DIN 5P, plug	3 = Small 01P, plug
DC Power Input Cable Length (mm)	1 = Straight, 1000	3 = Straight, 2000
Number of Actuators	1 = 1	2 = 2
Handset Socket	2 = Short DIN 5P	
Accessories Socket	5 = RJ 10P	
Color	1 = Black	

Terms of Use

The user is responsible for determining the suitability of TiMOTION products for a specific application. TiMOTION products are subject to change without prior notice.