

# TFH34

series



## Product Segments

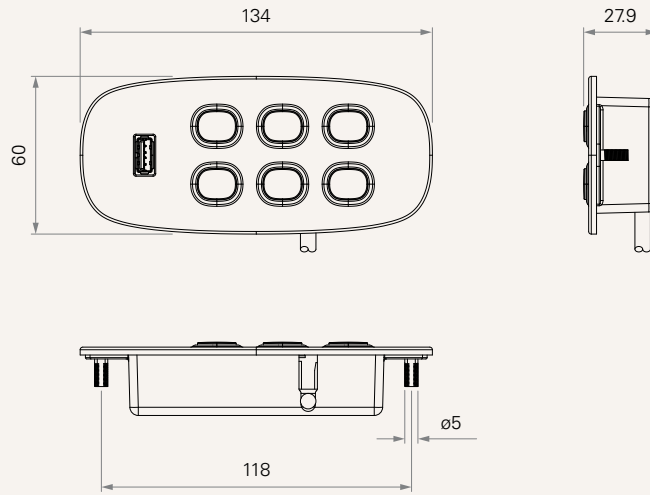
- **Comfort Motion**

### General Features

Number of motors	1~3
Max. available buttons	6
Color	Bottom cover: Black Upper cover: Metal plating
Direct cut support	Available
Operational temperature range	+5°C~+45°C
USB socket for power charging	

**Drawing**

Standard Dimensions  
(mm)



<b>MCU</b>	0 = Without	
<b>Control Box Type</b>	3 = Without MCU	
<b>Communication Type</b>	1 = Direct Cut	
<b>Number of Actuator</b>	3 = 3	
<b>Button Definition</b>	Note: please contact TiMOTION before making an order	
<b>Button Icon</b>	0 = Without	
<b>Plug</b>	9 = DIN 8P	
<b>Plug Angle</b>	1 = 90°	2 = 180°
<b>Cable Length (mm)</b>	1 = Straight, 1000	2 = Straight, 1500
<b>Color</b>	1 = Standard (upper cover: metal plating; bottom cover: black)	
<b>Cable Color</b>	1 = Black	
<b>IP Rating</b>	0 = Without	
<b>Usb Charging Socket</b>	1 = USB type-A	

### Terms of Use

The user is responsible for determining the suitability of TiMOTION products for a specific application. TiMOTION products are subject to change without prior notice.