

TFH32

series



Product Segments

- **Comfort Motion**

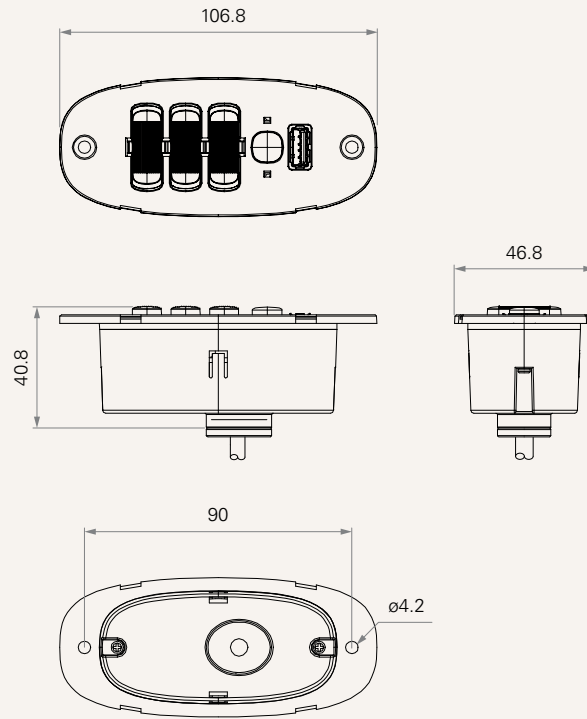
The TFH32 is an elegant hand control designed for numerous applications, particularly comfort motion reclining furniture. It can support up to 7 buttons, allowing for the movement of the headrest, backrest, footrest, and more. The TFH32 features 1 USB charging port and can be embedded directly into the reclining furniture.

General Features

Number of motors	1~3
Max. available buttons	7
Color	Upper cover: Metal plating; Bottom cover: Black
Operational temperature range	+5°C~+45°C
With USB charging socket	

Drawing

Standard Dimensions
(mm)



Input Voltage	1 = 5V	
MCU	0 = Without	
Control Box Type	1 = With MCU	
Communication Type	4 = Dual-direction scan-type	
Button Icon	0 = Without	
Plug	4 = RJ10P	9 = DIN 8P
Plug Angle	1 = 90°	2 = 180°
Cable Length (mm)	1 = Straight, 1000	2 = Straight, 1500
Color	1 = Standard (upper cover: metal painting; bottom cover: black)	
Cable Color	1 = Black	
IP Rating	0 = Without	
USB Charging Socket	1 = USB type-A	

Terms of Use

The user is responsible for determining the suitability of TiMOTION products for a specific application. TiMOTION products are subject to change without prior notice.