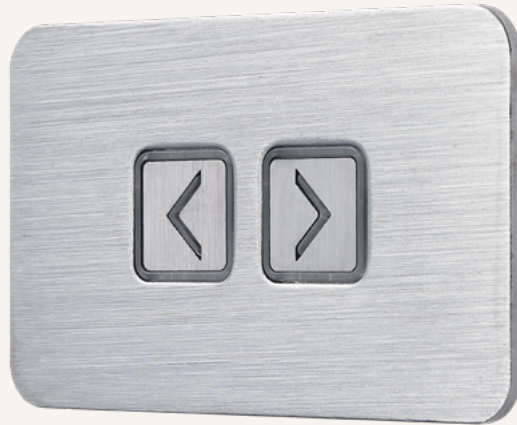


TFH15

series



Product Segments

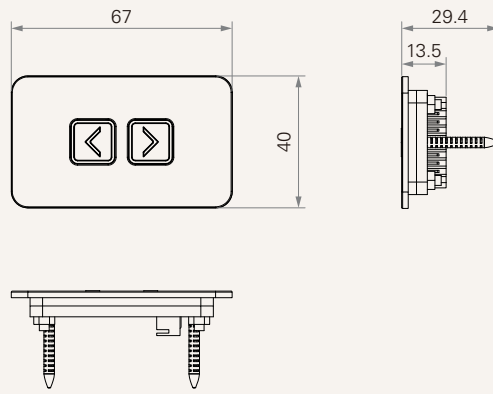
- **Comfort Motion**

General Features

Max. available buttons	2
Options	Mounting bracket
Operational temperature range	+5°C~+45°C
Metallic finish	
Embedded into the recliner directly	

Drawing

Standard Dimensions
(mm)



Plug	2 = DIN 8P, 90°	4 = DIN 8P, 180°	5 = RJ 10P, 90°	6 = RJ 10P, 180°
Cable Length (mm)	4 = Straight, 1000			
Button Definition	1~3 = See button definition Note: please contact TiMOTION before making an order			
Button Icon	1 = ← →	2 = ↑ ↓		
Mounting Bracket	0 = Without	1 = With		
Color	4 = Silver			
MCU	0 = Without	1 = With		
Control Box Type	0 = Without MCU	1 = With MCU	2 = With MCU (Power saving)	
Communication Type	2 = Switch type	4 = Dual-direction scan type	6 = T-BUS	

Terms of Use

The user is responsible for determining the suitability of TiMOTION products for a specific application. TiMOTION products are subject to change without prior notice.