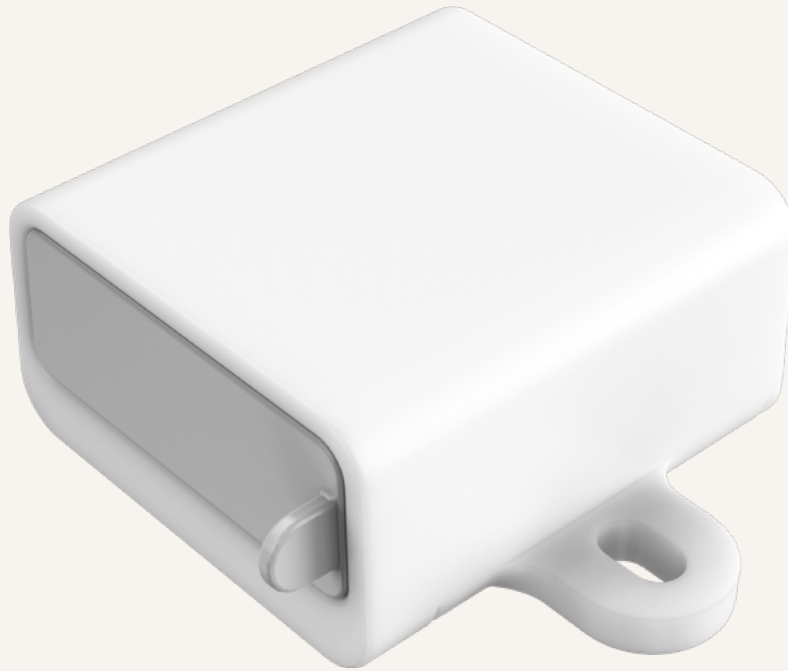


# TFA5

series



---

## Product Segments

- **Care Motion**

---

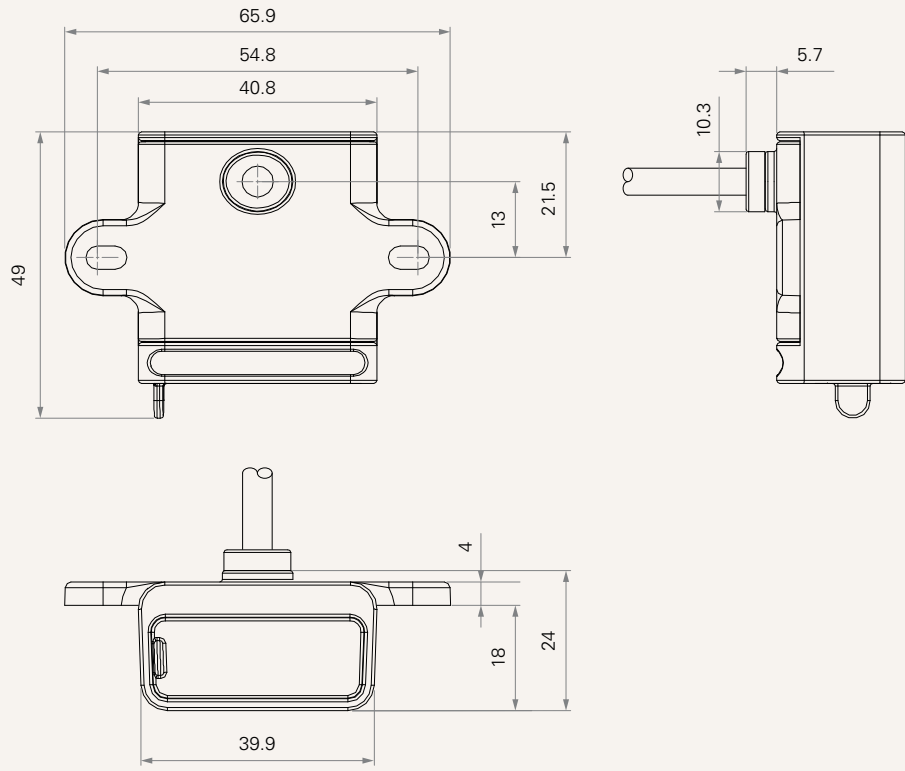
The TFA5 is an accessory specifically designed for medical bed applications. Most USB devices can be charged by this accessory.

### General Features

- IP rating Up to IP66
- 1 USB charging port
- Can be mounted to the side rail directly

**Drawing**

Standard Dimensions  
(mm)



---

<b>Input &amp; Output Spce</b>	1 = Input 24 VDC / output 5V, 2A		
<b>Socket of Charging</b>	1 = 1 USB socket		
<b>Plug</b>	1 = Tinned leads	2 = DIN 4P, 90°	3 = DIN 4P, 180°
<b>Cable Length (mm)</b>	2 = Straight, 1000	3 = Straight, 1500	4 = Straight, 2000
<b>Color</b>	1 = White S, Waterproof plug pantone 428C 2 = Pantone 428C, Waterproof plug pantone 428C		3 = Black, Waterproof plug black
<b>IP Rating</b>	3 = IP66		

---

---

### Terms of Use

The user is responsible for determining the suitability of TiMOTION products for a specific application. TiMOTION products are subject to change without prior notice.