

# TEK20

## series

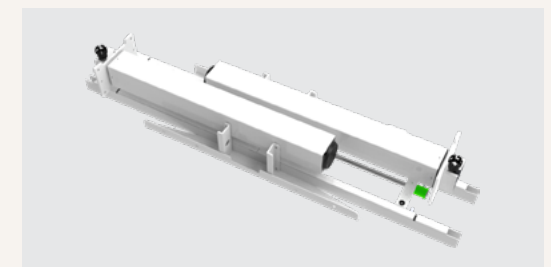
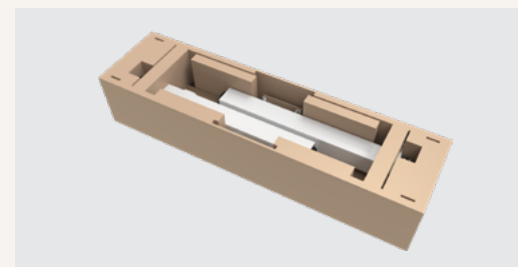
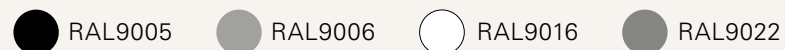
### Product Segments

#### • Ergo Motion

#### General Features

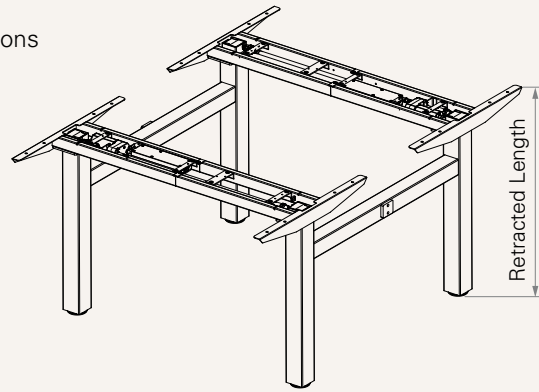
Frame Orientation	Face to Face; two independent desks linked as one module
Maximum Load	90 kg (per frame)
Constant Speed (<80Kg)	2 stage column 33mm/s
Weight of TEK20 Package	68Kg*
	*The actual weight of package may vary due to customer's selection of components.
Accessories (optional)	Enhanced anti-collision feature with t-touch, TFA1/3, TWC
Low Standby Power	<0.1W
Multiple control options	
High strength and stability - Steel construction	
Semi - Preassembled - Motor and control box are mounted within the frame	
*The complete TEK20 package includes 2 sets of TEK05 package and one set of side beam.	

#### Color (RAL Classic)

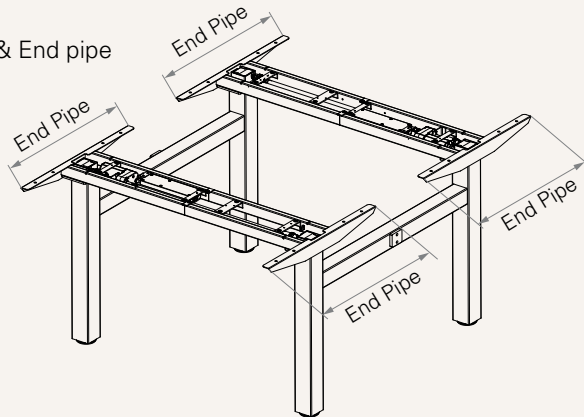


**Drawing**

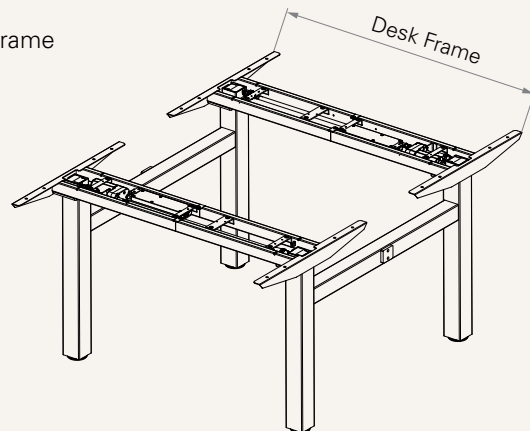
Dimensions



• Feet & End pipe



• Desk frame

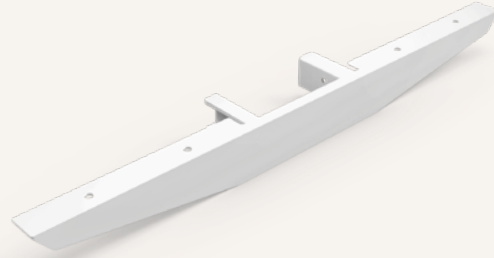


Frame Dimensions	Recommended Work Surface Dimensions	
Width (mm)	Width (mm)	Depth (mm)
1050~1600	1100~1700	700~1000

Column Type	Frame Height (mm)	Stroke (mm)
<b>2-Stage</b>	680~1180	500

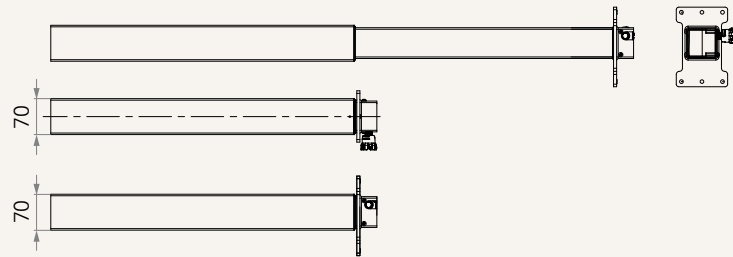
End Pipe

Style A  
(for fixed tabletop)

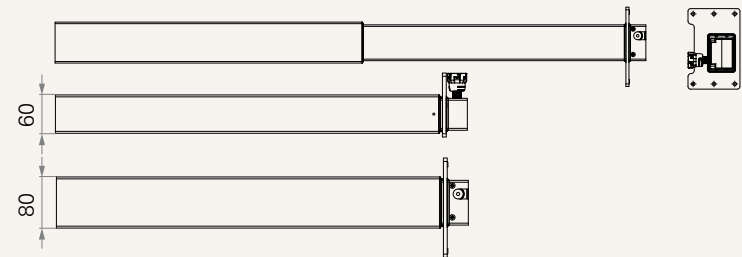


Column Shape

Square, 2 stages



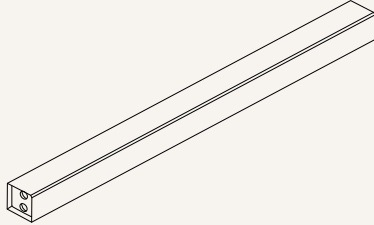
Rectangular, 2 stages



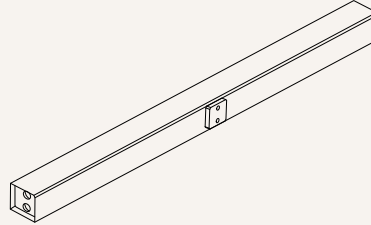
---

**Side Beam**

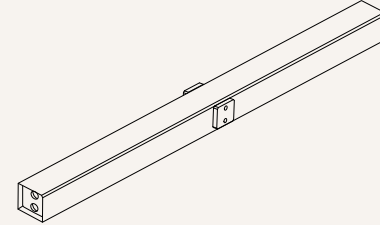
Without welding part



One welding part on one side



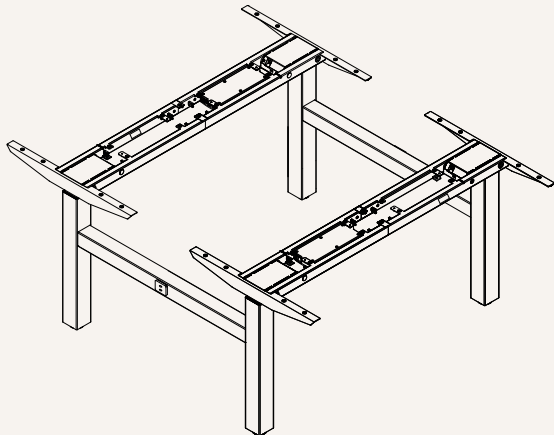
Two welding parts for both sides



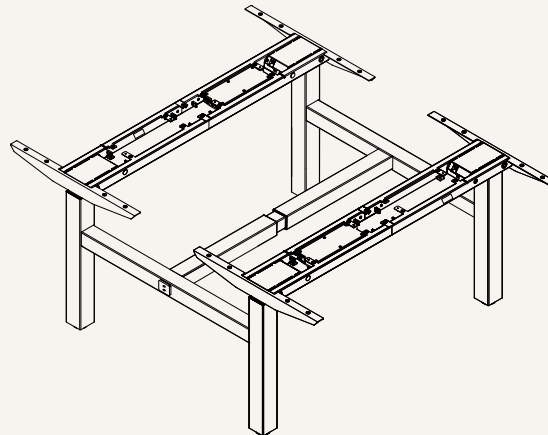
---

**Middle Beam**

Without middle beam



With middle beam



Handset Model



1 = TH37



2 = TFH8



3 = TDH1



4 = TDH2



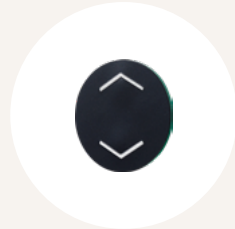
5 = TDH3



6 = TDH4



7 = TDH5



9 = TFH13



B = TH14



C = TFH21



D = TDH8P

Accessories (optional)



TCS1

TCS1 is a collision sensor based on t-touch technology which does not require any additional hardware upgrades.



TFA1

A charger with 2 USB ports. Can be mounted on the table top.



TFA3

A charger with 2 USB ports. Can be mounted to the desk front side.



TWC

Designed for wireless charging of mobile devices. Can be mounted on the table top.

# TEK20 Ordering Key

## TEK20

Version: 20180120-B

<b>Load and Speed</b>	B = Load: 90Kg, Speed: 0-90Kg 33/mms					
<b>Stroke &amp; Retracted Length (mm)</b>	Stroke: 500 Retracted length: 680					
<b>Foot (mm)</b>	0 = Without, with Big shoes, standard					
<b>Color</b>	1 = Black (RAL 9005), wiper: black		2 = Grey(RAL9006), wiper: black		3 = White (RAL 9016), wiper: black	4 = Special grey (RAL 9022), wiper: black
<b>TC Model</b>	1 = TC11					
<b>Handset Model</b> <a href="#">See page 5</a>	1 = TH37	3 = TDH1	5 = TDH3	7 = TDH5	B = TFH14	D = TDH8P
	2 = TFH8	4 = TDH2	6 = TDH4	9 = TFH13	C = TFH21	
<b>End Pipe (mm)</b> <a href="#">See page 3</a>	1 = Style A, fixation holes, E1 & E2: 600, standard					
<b>Desk Frame (mm)</b>	1 = Normal, outer pipe 20*40, W: 1050-1600					
<b>Column Shape</b> <a href="#">See page 3</a>	1 = Square, 2 stage			2 = Rectangular, 2 stage		
<b>Welding Part</b>	1 = With					
<b>Side Beam</b> <a href="#">See page 4</a>	1 = One side bracket welded					
<b>Middle Beam</b> <a href="#">See page 4</a>	0 = Without					

### Terms of Use

The user is responsible for determining the suitability of TiMOTION products for a specific application. TiMOTION products are subject to change without prior notice.