

TEK03 series

Face-to-Face Modular Bench Solution

General Features

Max. load	100kg or 120kg* (per frame)
Constant speed	2-Stage Column: Up to 33mm/s* 3-Stage Column: Up to 40mm/s*
Frame type	Face-to-Face Modular Bench Solution
Weight of package	70kg*
Standby power	< 0.1W
Accessories	USB Chargers (TFA1/TFA3), Anti-Collision Sensor (TCS1), Wireless Chargers (TWC)

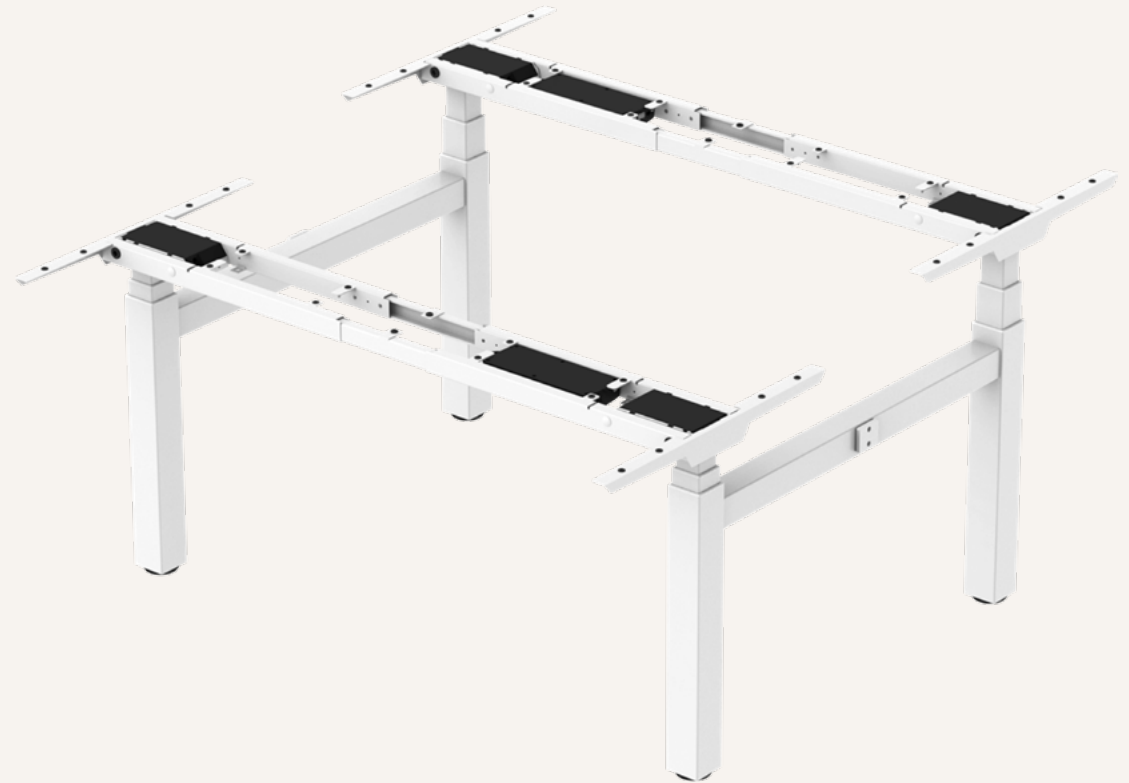
Multiple column and control options

High strength and stability - Steel construction

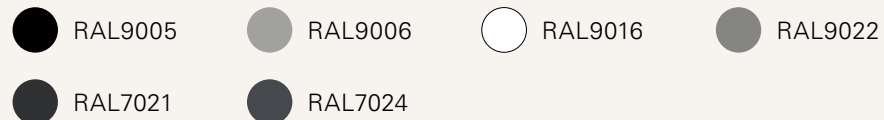
Pre-assembled frame kit (each side) - Significantly reduces installation time

*It varies upon the selection of components.

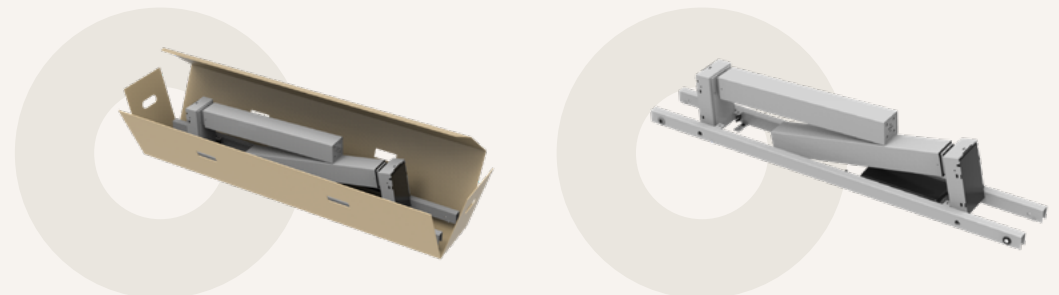
*The complete TEK03 package includes 2 sets of TEK01 package and one set of side beam.



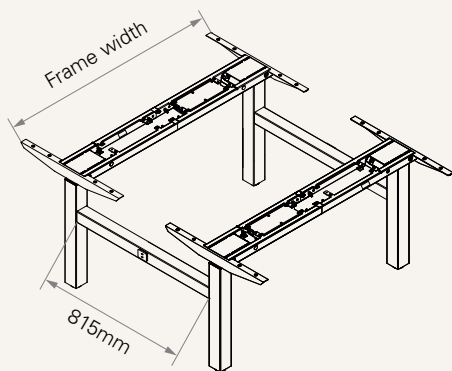
Color (RAL Classic)



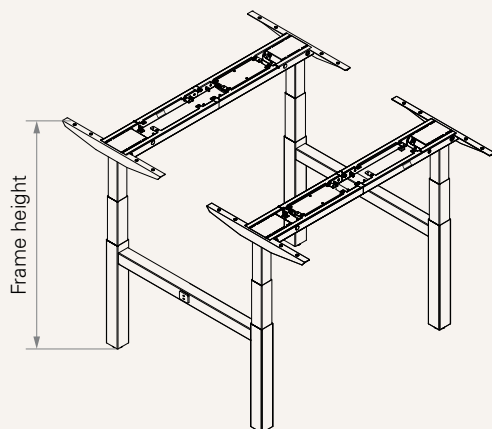
*For more color options, please consult your sales representative.



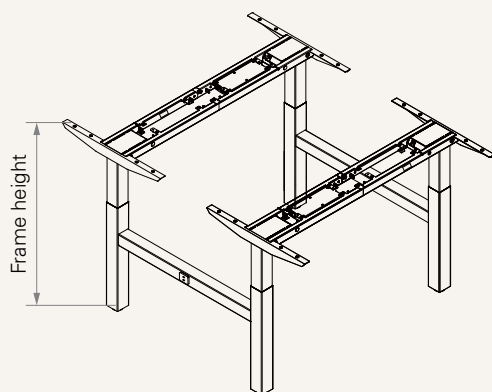
Dimension



• 3-Stage



• 2-Stage



Frame & Work Surface

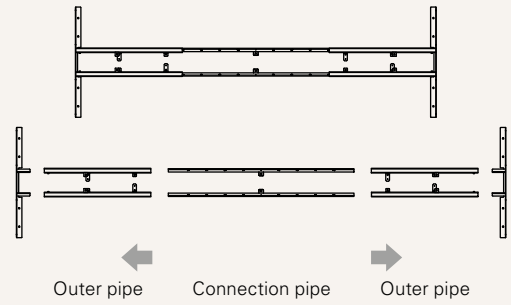
Frame dimensions (mm)	Recommended work surface dimensions (mm)	
Each Side Width (mm)	Width (mm)	Depth (mm)
1050~1850	1100~1900	700~1000

Hight Range

Column type	Frame height (mm)	Stroke (mm)
3-Stage	630~1280	650
3-Stage (M)	600~1260	660
3-Stage (S)	560~1220	660
2-Stage	680~1180	500

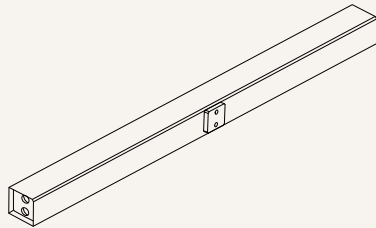
Desk Frame

1 = Medium

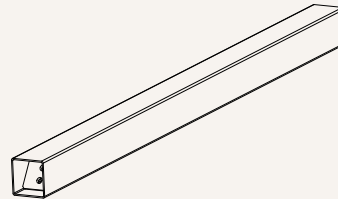


Side Beam

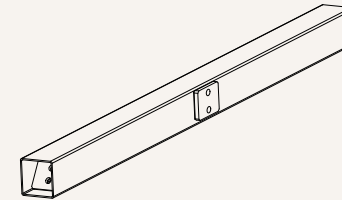
1 = One side bracket welded



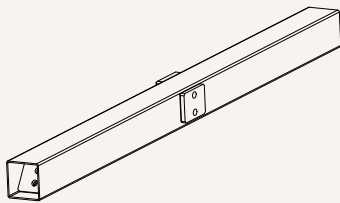
3 = Without bracket welded



4 = One side bracket welded

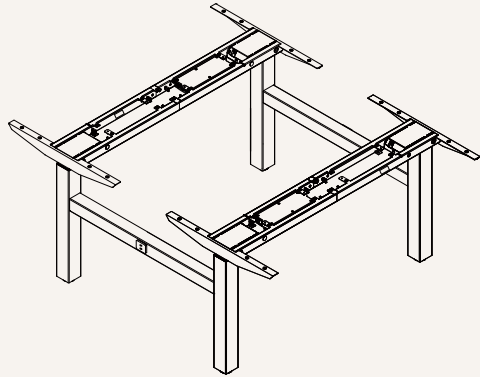


5 = Two sides bracket welded



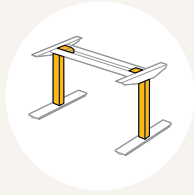
Middle Beam

Without middle beam

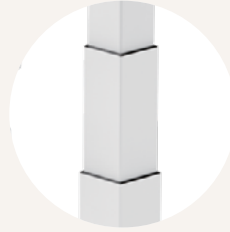


TL Model

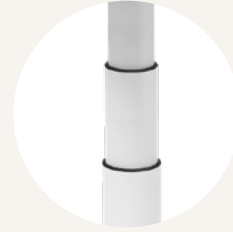
• 3-Stage



TL4
Square
70 x 70 mm



TL4S
Square
70 x 70 mm



TL9
Round
ø70 mm



TL10
Rectangular
80 x 60 mm

• 2-Stage



TL13
Square
70 x 70 mm



TL13S
Square
70 x 70 mm

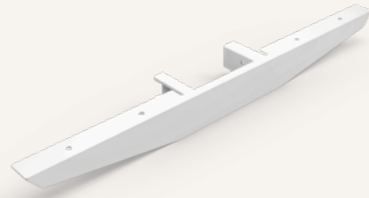


TL15
Rectangular
80 x 60 mm

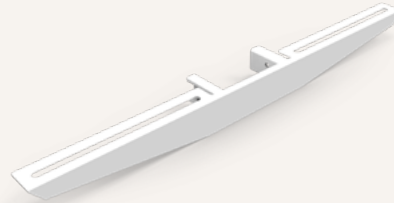
End Pipe



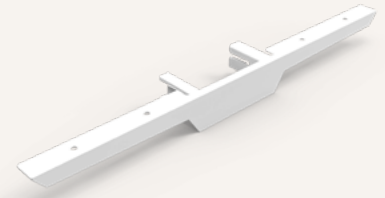
1, 6, 7 = Style A
(for fixed tabletop)



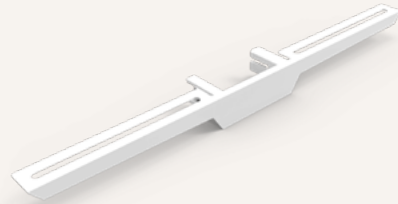
2 = Style A
(for sliding tabletop)



3 = Style B
(for fixed tabletop)



4 = Style B
(for sliding tabletop)



Hand Control



1 = TH37



2 = TFH8



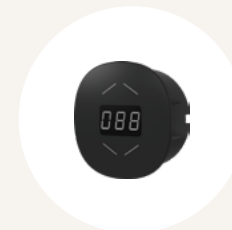
3 = TDH1



4 = TDH2



5 = TDH3



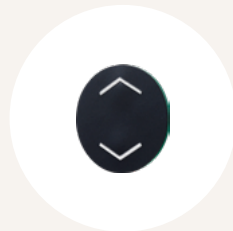
6 = TDH4



7 = TDH5



8 = TDH6



9 = TFH13



B = TH14



C = TFH21



D = TDH8P



E = TDH8



F = TDH8D



G = TDH11P



H = TDH12P



K = TDH16



L = TDH6PR



M = TDH5PR



N = TDH13P



P = TDH15



Q = TDH18P



R = TDH17



S = TDH20P

Hand Control



T = TDH9P



U = TDH27P



V = TDH24P

Accessories (optional)



TCS1

TCS1 is a collision sensor based on t-touch technology which does not require any additional hardware upgrades.



TFA1

A charger with 2 USB ports. Can be mounted on the table top.



TFA3

A charger with 2 USB ports. Can be mounted to the desk front side.



TWC

Designed for wireless charging of mobile devices. Can be mounted on the table top.

TEK03 Ordering Key

TEK03

Version: 20220527-1

TL Model See page 5	004S = TL4S	013S = TL13S	010H = TL10H	015H = TL15H	004K = TL4K	009K = TL9K	013K = TL13K	014K = TL14K
Foot (mm)	0 = Without, with Big shoes, standard							
Color	1 = Black (RAL 9005) 2 = Grey (RAL 9006)		3 = White (RAL 9016) 4 = Special grey (RAL 9022)		6 = Matte black (RAL7021) 7 = Graphite grey (RAL7024)			
TC Model	1 = TC15	2 = TC15P						
Hand Control	See page 7-8							
End Pipe (mm) See page 6	1 = Style A, fixation holes, E1 & E2: 600, Standard		2 = Style A, slidable, E1 & E2: 700 3 = Style B, fixation holes, E1 & E2: 600		4 = Style B, slidable, E1 & E2: 700 6 = Style A, fixation holes, E1 & E2: 500		7 = Style A, fixation holes, E1 & E2: 550	
Desk Frame (mm) See page 3	6 = Medium, outer pipe 25*40, W: 1050-1850							
Side Beam	See page 3							
Middle Beam See page 4	0 = Without							
Assembly Manual	C = Chinese		E = English					

Terms of Use

The user is responsible for determining the suitability of TiMOTION products for a specific application. TiMOTION products are subject to change without prior notice.