

TEK02 series

L-Shaped Three Leg Desk Frame

General Features

Max. load	120kg or 150kg*
Constant speed	3-Stage Column: Up to 40mm/s*; 2-Stage Column: Up to 33mm/s*
Weight of package	62Kg*
Standby power	< 0.1W
Noise level	39dB
Accessories	USB Chargers (TFA1/TFA3), Anti-Collision Sensor (TCS1), Wireless Chargers (TWC)

Multiple column and control options

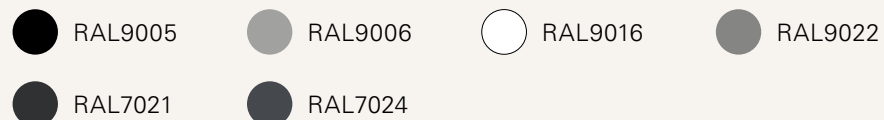
High strength and stability – Steel construction

Modular design -Easily change the TEK01 rectangular desk frame into the L shaped desk

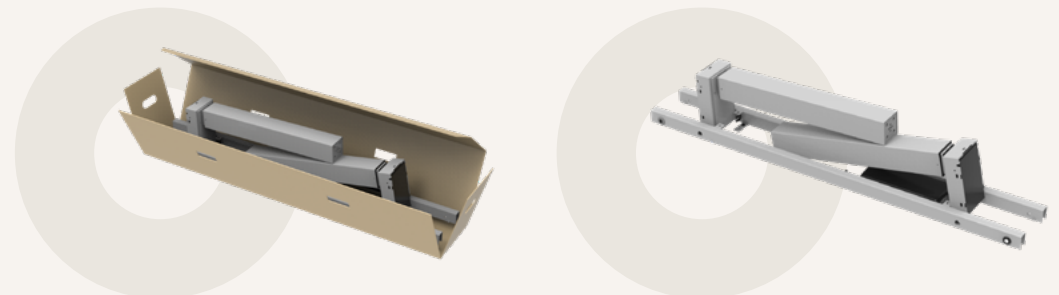
*It varies upon the selection of components.



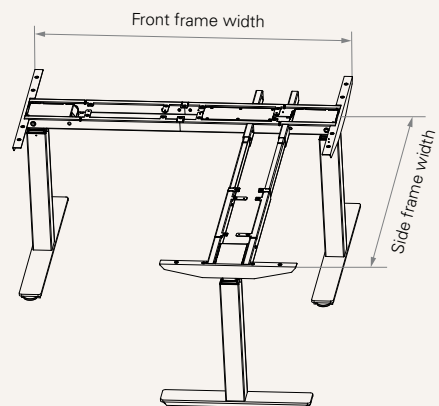
Color (RAL Classic)



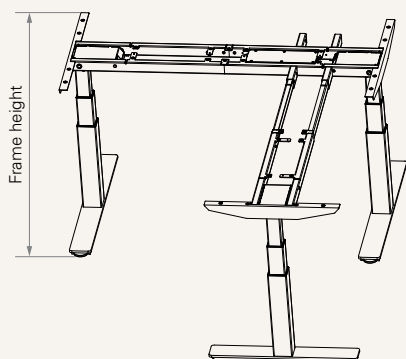
*For more color options, please consult your sales representative.



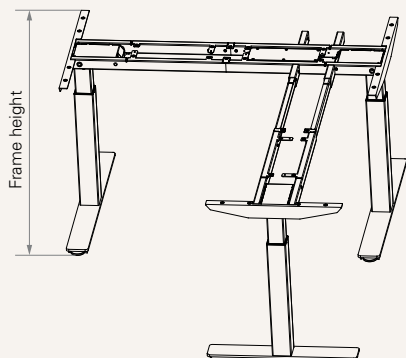
Dimension



- 3-Stage



- 2-Stage



Frame & Work Surface

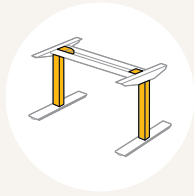
Frame Type	Frame dimensions (mm)		Recommended work surface dimensions (mm)	
	Width (mm)	Depth (mm)	Width (mm)	Depth (mm)
Front	1165~1965	1200~2000	700~1000	
Side-Long	1165~1570	-	-	
Side-Short	1045~1370	-	-	

Hight Range

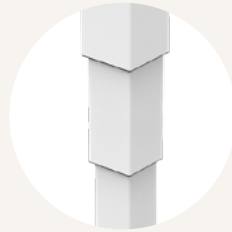
Column type	Frame height (mm)	Stroke (mm)
3-Stage	630~1280	650
3-Stage (M)	600~1260	660
3-Stage (S)	560~1220	660
2-Stage	680~1180	500

TL Model

• 3-Stage



TL4
Square
70 x 70 mm



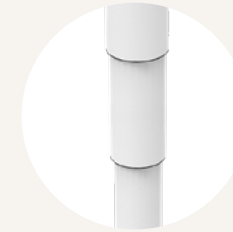
TL7
Square
70 x 70 mm



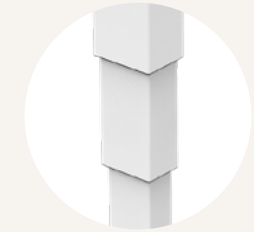
TL9
Round
ø70 mm



TL10
Rectangular
80 x 60 mm



TL11
Round
ø70 mm



TL12
Rectangular
80 x 60 mm

• 2-Stage



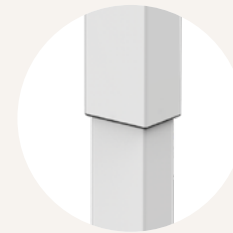
TL13
Square
70 x 70 mm



TL14
Round
ø70 mm



TL15
Rectangular
80 x 60 mm



TL26
Rectangular
80 x 60 mm



TL28
Square
70 x 70 mm

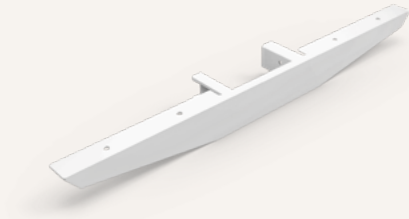


TL29
Round
ø70 mm

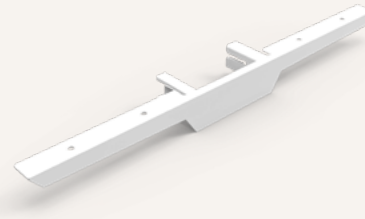
End Pipe



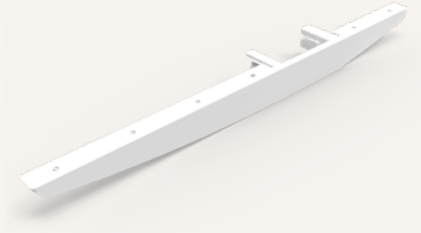
Style A
(for fixed tabletop)



Style B
(for fixed tabletop)



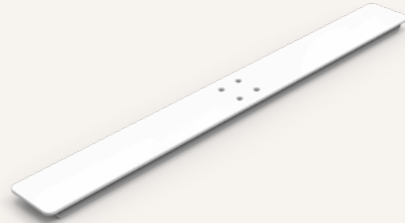
Style C
(for C leg, fixed tabletop)



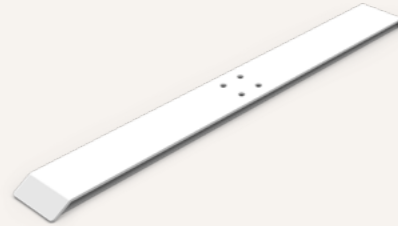
Foot



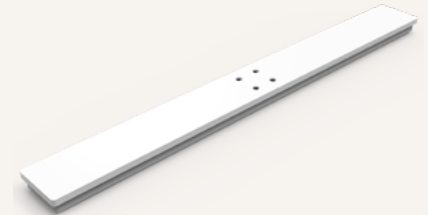
Style A



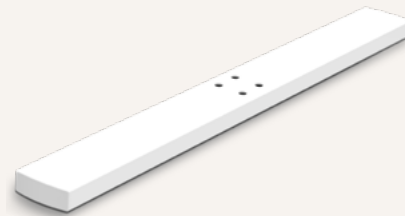
Style B



Style C



Style D



Style E



Style F



Style G



Style H



Style J



Foot (mm)



Code	Style	Frame type	Length (mm)
0	-	Without	-
AT1	A	T	750
AT2	A	T	680
AT4	A	T	600
AT6	A	T	550
AC1	A	C	750
AC4	A	C	600
AC5	A	C	580
BT1	B	T	750
BT2	B	T	680
BT6	B	T	550
BC1	B	C	750
BC2	B	C	680
BC5	B	C	580
CT1	C	T	750
CT4	C	T	600
CT6	C	T	550
DT1	D	T	750
DT6	D	T	550
ET1	E	T	750
FT2	F	T	680
GT2	G	T	680
HT2	H	T	680
JC3	J	C	650

Hand Control



1 = TH37



2 = TFH8



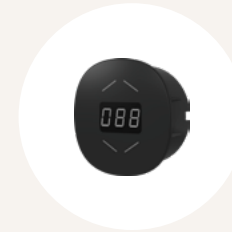
3 = TDH1



4 = TDH2



5 = TDH3



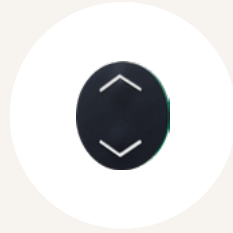
6 = TDH4



7 = TDH5



8 = TDH6



9 = TFH13



B = TH14



C = TFH21



D = TDH8P



E = TDH8



F = TDH8D



G = TDH11P



H = TDH12P



K = TDH16



L = TDH6PR



M = TDH5PR



N = TDH13P



P = TDH15



Q = TDH18P



R = TDH17



S = TDH20P

Hand Control



T = TDH9P



U = TDH27P



V = TDH24P

Accessories (optional)



TCS1

TCS1 is a collision sensor based on t-touch technology which does not require any additional hardware upgrades.



TFA1

A charger with 2 USB ports. Can be mounted on the table top.



TFA3

A charger with 2 USB ports. Can be mounted to the desk front side.



TWC

Designed for wireless charging of mobile devices. Can be mounted on the table top.

TL Model See page 3	0004 = TL4 0007 = TL7	0009 = TL9 0010 = TL10	0011 = TL11 0012 = TL12	0013 = TL13 0014 = TL14	0015 = TL15 0026 = TL26	0028 = TL28 0029 = TL29	
Foot F1 (mm)	See page 5-6						
Foot F2 (mm)	010 = Foot cap + Big shoe, standard 020 = Big shoe (requires column with extended outer tube)			Other foot options, See page 5-6			
Foot F3 (mm)	See page 5-6						
Color	1 = Black (RAL 9005) 2 = Grey (RAL 9006)		3 = White (RAL 9016) 4 = Special grey (RAL 9022)		6 = Matte black (RAL7021) 7 = Graphite grey (RAL7024)		
TC Model	0 = Without	1 = TC16	2 = TC16P				
Hand Control	See page 7-8						
End pipe E1&E2 (mm) See page 4	1 = Style A, fixation holes, E1&E2: 600, Standard 2 = Style A, fixation holes, E1&E2: 500 3 = Style B, fixation holes, E1&E2: 600 4 = Style B, fixation holes, E1&E2: 500			5 = Style A, fixation holes, E1&E2: 550 6 = Style C, fixation holes, E1&E2: 700, for C-leg 7 = Style C, fixation holes, E1&E2: 580, for C-leg			
End pipe E3 (mm) See page 4	1 = Style A, fixation holes, E3: 600 2 = Style A, fixation holes, E3: 500, Standard		3 = Style B, fixation holes, E3: 600 4 = Style B, fixation holes, E3: 500		5 = Style A, fixation holes, E3: 550 6 = Style C, fixation holes, E3: 700, for C-leg		7 = Style C, fixation holes, E1&E2: 580, for C-leg
Front Desk Frame (mm)	1 = Normal, outer pipe 25*40, W: 1165-1965		6 = Medium, outer pipe 25*40, W: 1050-1850				
Side Desk Frame (mm)	1 = With Normal front frame, Long, L: 1165-1570 (with connection pipe L: 1010) 2 = With Normal front frame, Short, L: 1045-1370 (with connection pipe L: 820)			3 = With Medium front frame, Long, L: 1050-1450 (with connection pipe L: 896) 4 = With Medium front frame, Short, L: 890-1240 (with connection pipe L: 720)			
Assembly Manual	0 = Without C = Chinese, TiMOTION logo, Black / White printing E = English, TiMOTION logo, Black / White printing 1 = Chinese, TiMOTION logo, colour printing 2 = English, TiMOTION logo, colour printing			3 = Chinese, No logo, Black / White printing 4 = English, No logo, Black / White printing 5 = Chinese, No logo, colour printing 6 = English, No logo, colour printing			

MP - TEK02 Ordering Key

TEK02

Version: 20221031-J

TL Model See page 3	0004 = TL4 0007 = TL7	0009 = TL9 0010 = TL10	0011 = TL11 0012 = TL12	0013 = TL13 0014 = TL14	0015 = TL15 0026 = TL26	0028 = TL28 0029 = TL29
Foot F3 (mm)	See page 5-6					
Color	1 = Black (RAL 9005) 2 = Grey (RAL 9006)		3 = White (RAL 9016) 4 = Special grey (RAL 9022)		6 = Matte black (RAL 7021) 7 = Graphite grey (RAL 7024)	
TC Model	0 = Without	1 = TC16	2 = TC16P			
Hand Control	See page 7-8					
End pipe E3 (mm) See page 4	1 = Style A, fixation holes, E3: 500, Standard 2 = Style A, fixation holes, E3: 600 3 = Style B, fixation holes, E3: 500 4 = Style B, fixation holes, E3: 600			5 = Style B, fixation holes, E3: 550 6 = Style C, fixation holes, E3: 700, for C-leg 7 = Style C, fixation holes, E1&E2: 580, for C-leg		
Front Desk Frame (mm)	0 = Without					
Side Desk Frame (mm)	1 = With Normal front frame, Long, L: 1165-1570 (with connection pipe L: 1010) 2 = With Normal front frame, Short, L: 1045-1370 (with connection pipe L: 820)			3 = With Medium front frame, Long, L: 1050-1450 (with connection pipe L: 896) 4 = With Medium front frame, Short, L: 890-1240 (with connection pipe L: 720)		
Assembly Manual	0 = Without C = Chinese, TiMOTION logo, Black / White printing E = English, TiMOTION logo, Black / White printing 1 = Chinese, TiMOTION logo, colour printing 2 = English, TiMOTION logo, colour printing			3 = Chinese, No logo, Black / White printing 4 = English, No logo, Black / White printing 5 = Chinese, No logo, colour printing 6 = English, No logo, colour printing		

Terms of Use

The user is responsible for determining the suitability of TiMOTION products for a specific application. TiMOTION products are subject to change without prior notice.