

TDH9P

series



Product Segments

- **Ergo Motion**

TDH9P allows the user to set four preferred heights, and is equipped with a three-digit display. It can work with the Bluetooth adapter - TWD1, controlling the desk height remotely via the "STAND UP PLS" app. The intuitive design of its button interface enhances the user experience.

General Features

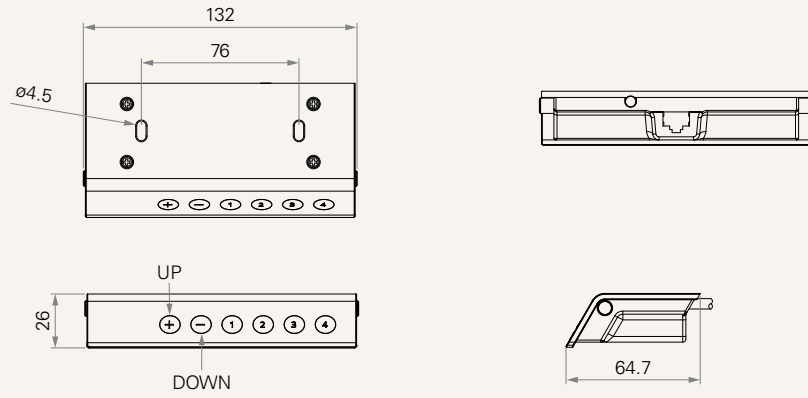
Maximum available buttons	6
Color	Black
Options	Anti-pulling tube
3-digit display shows the height of the desk	
4 Memory positions	
Touch control for height-adjustable desks	
Compatible with the TWD1 (Bluetooth adapter)*	
Mounted to the desk front side	

Note

¹ With TWD1, it can control the desk height remotely via the "STAND UP PLS" app.

Drawing

Standard Dimensions
(mm)



TDH9P

Version: 20201028-B

Connector	6 = RJ 10P flat, 180°, for Ergo TC	7 = RJ 10P flat, 90°, for TC22
Case Color	1 = Black	
Light	1 = With (Color: Blue)	
Logo (Print)	1 = Without	2= TiMOTION
Unit	1 = Metric system (cm)	2 = Imperial system (inch)
Cable Length (mm)	1 = Straight, 1000	2 = Straight, 2000
Anti-Pulling Tube	0 = Without	1 = With

Terms of Use

The user is responsible for determining the suitability of TiMOTION products for a specific application. TiMOTION products are subject to change without prior notice.