

TDH8D

series



Product Segments

• Ergo Motion

TDH8D series features a lively design with a wide selection of outer ring colors. If none of the colors suits you, it is also possible to customize the color to fit your design. It can work with the Bluetooth adapter - TWD1, controlling the desk height remotely via the "STAND UP PLS" app. TDH8D is equipped with a three-digit display.

General Features

Max. available buttons	2
Color	Case: Black; Frame: Silver, matte black, customized
Options	Frame color, back light
Display	3-digit display shows the height of the desk
Operational temperature range	+5°C~+45°C
Simple control for height-adjustable desks	
Compatible with the TWD1 (Bluetooth adapter)*	
Front mounted desk installation	

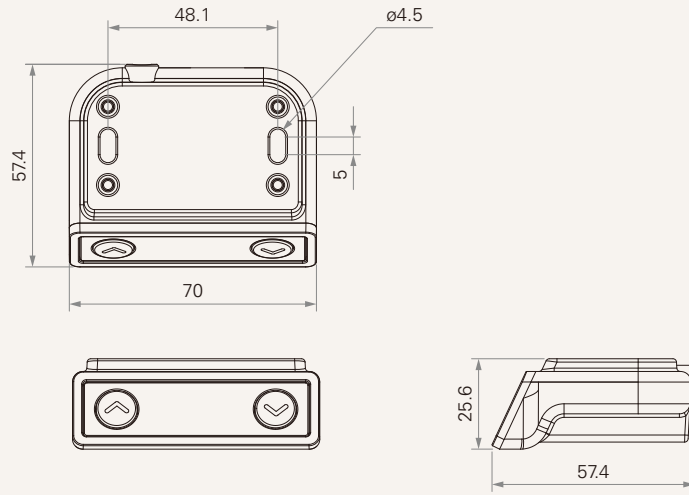
Note

* With TWD1, it can control the desk height remotely via the "STAND UP PLS" app.

TDH8D Series

Drawing

Standard Dimensions
(mm)



TDH8D

Version: 20230503-C

Plug	1 = RJ 10P, 180° 6 = RJ 10P flat, 180°, for Ergo TC	7 = RJ 10P flat, 90°, for TC22	
Case Color	1 = Black		
Frame Color	1 = Silver: Pantone 877 C	9 = Matte black	A = Customized
Logo (Print)	1 = Without	2 = TiMOTION	A = Customized
Back Light	0 = Without	1 = With, white	
Unit	1 = Metric system (cm)	2 = Imperial system (inch)	
Cable Length	1 = Straight, 1000	2 = Straight, 2000	
Anti-Pulling Tube	0 = Without	1 = With	

Terms of Use

The user is responsible for determining the suitability of TiMOTION products for a specific application. TiMOTION products are subject to change without prior notice.