

# TDH27P

series



## Product Segments

### • Ergo Motion

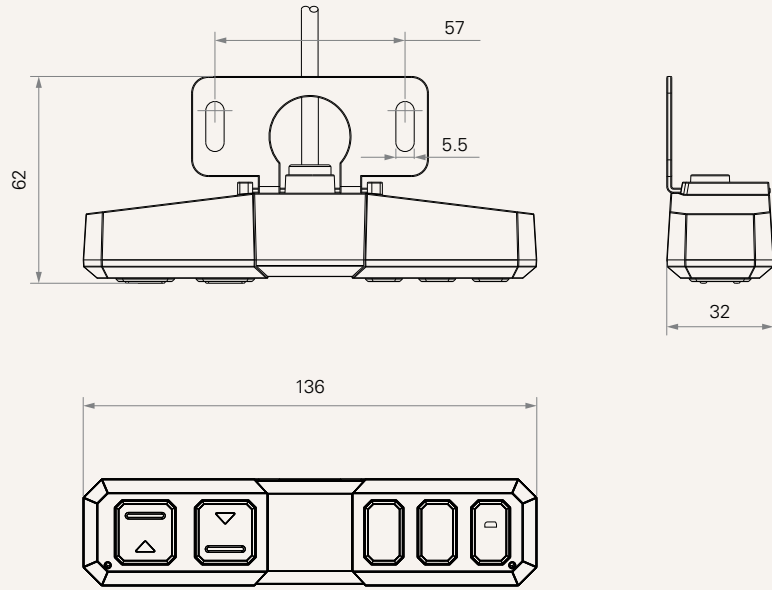
TiMOTION's TDH27P is a unique hand control specially designed for height-adjustable mechanisms in industrial worksites. Equipped by a sturdy outer case, an IP66 rating, and ESD protection, the TDH27P is highly durable in harsh environments filled with grease and dust. The hand control's large-sized buttons and embossing make operation fun and easy, even with gloves. The TDH27P also supports two preset positions, one functional button, and a visible digit display.

#### General Features

Max. available buttons	5
Color	Case: Matte black
IP rating	IP66
Options	Anti-pulling tube
Display	Available
Operational temperature range	+5°C~+45°C
Safety lock button	
Customized side cover color	
ESD protection	
Especially designed for Industrial workstation applications	

**Drawing**

Standard Dimensions  
(mm)



# TDH27P Ordering Key

TDH27P

Version: 20220117-C

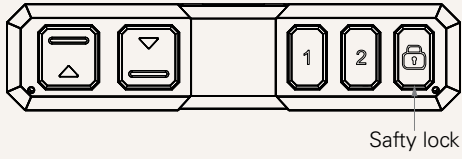
<b>Plug</b>	1 = RJ 10P, 180° 6 = RJ 10P flat, 180°, for Ergo TC	7 = RJ 10P flat, 90°, for TC22
<b>Color of Plastic Key</b>	1 = Standard, Pantone 425C	
<b>Case Color</b>	1 = Matte black	
<b>Logo (Print)</b>	1 = Without	2 = TiMOTION
<b>Button Screen Printing</b>	1 = Option 1- Funtional button: safety lock	2 = Option 2- Funtional button: memory button
<b>Unit</b>	1 = Metric system (cm)	2 = Imperial system (inch)
<b>Cable Length (mm)</b>	1 = Straight, 1000	2 = Straight, 2000
<b>Anti-Pulling Tube</b>	0 = Without	1 = With

# TDH27P Ordering Key Appendix

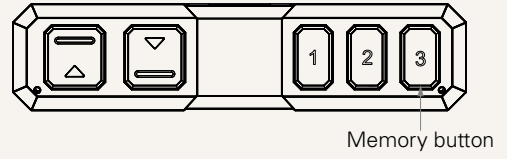
---

## Button Screen Printing

1 = Option 1- Funtional button: safety lock



2 = Option 2- Funtional button: memory button



---

## Terms of Use

The user is responsible for determining the suitability of TiMOTION products for a specific application. TiMOTION products are subject to change without prior notice.