

TDH24P

series



Product Segments

• Ergo Motion

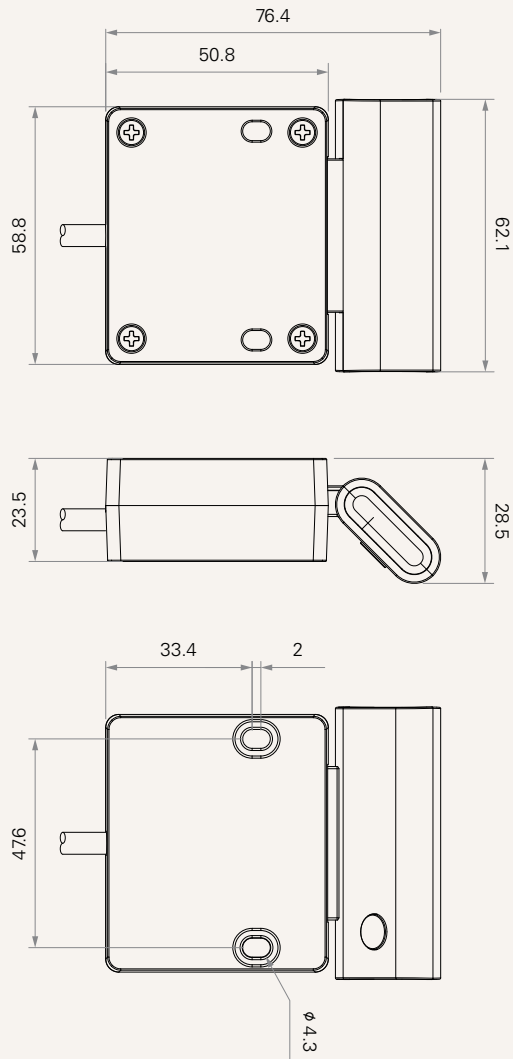
A stylish control designed with a wood façade and engineered for height adjustable desks, the TDH24P provides the finest user experience by moving the tabletop with a simple tilt. The readout is a digital (7) seven-segment display visible through the transparent wooden-like toggle switch. This sophisticated control is an excellent choice that accommodates and adorns your office or home environment.

General Features

Max. available buttons	2
Color	Case: White, black; Faceplate: Wooden, black
Options	Metric or imperial system, Anti-pulling tube
Display	3-digit display shows the height of the desk
Operational temperature range	+5°C~+45°C
Simple control for height-adjustable desks	
Mounted to the desk front side	

Drawing

Standard Dimensions
(mm)



TDH24P Ordering Key

TDH24P

Version: 20220809-E

Plug	6 = RJ 10P flat, 180°, for Ergo TC	7 = RJ 10P flat, 90°, for TC22	
Case Color	1 = White S	2 = Black	
Faceplate Color	1 = Wooden	2 = Black	
Setting Button Color	0 = w/o Setting button (Arrange with rubber) 1 = Silver	2 = Black	
Logo (Print)	1 = Without	2 = TiMOTION	
Unit	0 = w/o Height display	1 = Metric system (cm)	2 = Imperial system (inch)
Cable Length (mm)	1 = Straight, 1000	2 = Straight, 2000	
Anti-Pulling Tube	0 = Without	1 = With	

Terms of Use

The user is responsible for determining the suitability of TiMOTION products for a specific application. TiMOTION products are subject to change without prior notice.