

TDH19P

series



Product Segments

- **Ergo Motion**

TDH19P is a novel handset dedicated for glass table top designs. With the fully embedded design and touch buttons, TDH19P is an integrated control panel that can be operated through the glass surface. In addition, TDH19P features 3 USB charging ports, 4 memory settings, and 1 safety button, making it a unique and intelligent hand control for height adjustable desk applications.

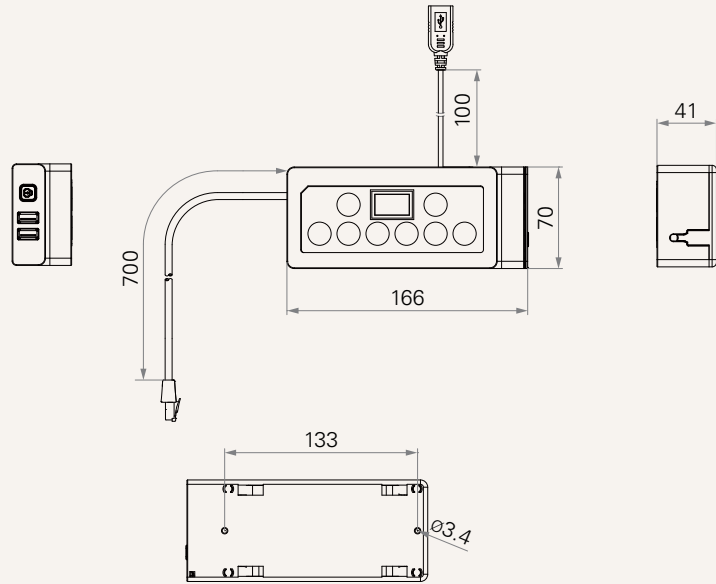
General Features

- Maximum available buttons 6
- 3-digit display shows the height of the desk
- Memory functionality (4 settings)
- Mounted to the desk front side
- Contains 2 USB charging ports and safety lock button
- Especially dedicated for glass table top designs

TDH19P Series

Drawing

Standard Dimensions
(mm)



TDH19P

Version: 20190719-A

Case	1 = Black	
Button Placement	1 = Option 1 2 = Option 2	Note: please contact TiMOTION before making an order
Plug	6 = RJ 10P flat, 180°	
Cable Length (mm)	1 = Straight, 700	
Additional USB Charging Port	0 = Without	1 = With, cable length 100mm
Button Contact Spring	1 = Spring, standard	2 = Spring+iron sheet (to be compatible with 5mm thickness wood tabletop)
Unit	1 = Metric system (cm)	2 = Imperial system (inch)
Anti-pulling tube	0 = Without	1 = With

Terms of Use

The user is responsible for determining the suitability of TiMOTION products for a specific application. TiMOTION products are subject to change without prior notice.