

TDH11P

series



Product Segments

- **Ergo Motion**

Featuring a sleek button layout, TDH11P is a simple yet classic hand control for height adjustable desks. It allows the user to set four preferred heights, and is equipped with a three-digit display. The exceptional design of its interface enhances the user experience. It can work with the Bluetooth adapter-TWD1, controlling the desk height remotely via the "STAND UP PLS" app.

General Features

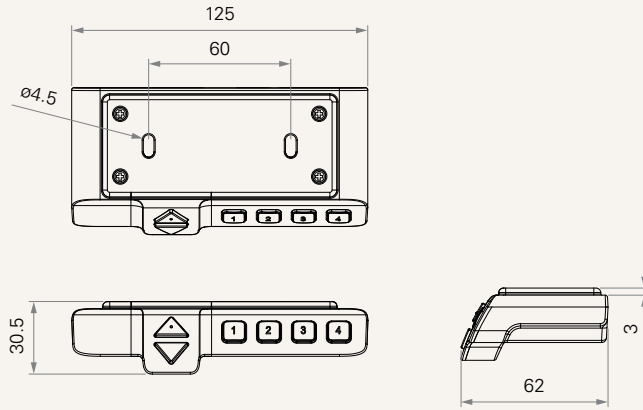
Max. available buttons	6
Options	Anti-pulling tube
3-digit display shows the height of the desk	
4 Memory positions	
Classic control for height-adjustable desks	
Compatible with the TWD1 (Bluetooth adapter)*	
Mounted to the desk front side	

Note

¹ With TWD1, it can control the desk height remotely via the "STAND UP PLS" app.

Drawing

Standard Dimensions
(mm)



TDH11P Ordering Key

TDH11P

Version: 20201028-B

Connector	1 = RJ 10P, 180° 6 = RJ 10P flat, 180°, for Ergo TC	7 = RJ 10P flat, 90°, for TC22
Color	1 = Black	
Rubber Button Color	1 = Dark grey (Pantone 425C)	
Logo (Print)	1 = Without	2 = TiMOTION
Back Light	0 = Without	
Unit	1 = Metric system (cm)	2 = Imperial system (inch)
Cable Length (mm)	1 = Straight, 1000	2 = Straight, 2000
Anti-Pulling Tube	0 = Without	1 = With

Terms of Use

The user is responsible for determining the suitability of TiMOTION products for a specific application. TiMOTION products are subject to change without prior notice.