

# TCS1

series

 ttouch



---

## Product Segments

- **Ergo Motion**

TCS1 is a collision sensor based on t-touch technology which can be integrated easily into the control system and does not require any additional hardware upgrades. When paired with the TiMOTION control system, TCS1 allows for three axis collision detection. This sensor provides enhanced safety to your electric height adjustable desk or system to help prevent user injury or equipment damage.

### General Features

Hardware based solution

Plug and play

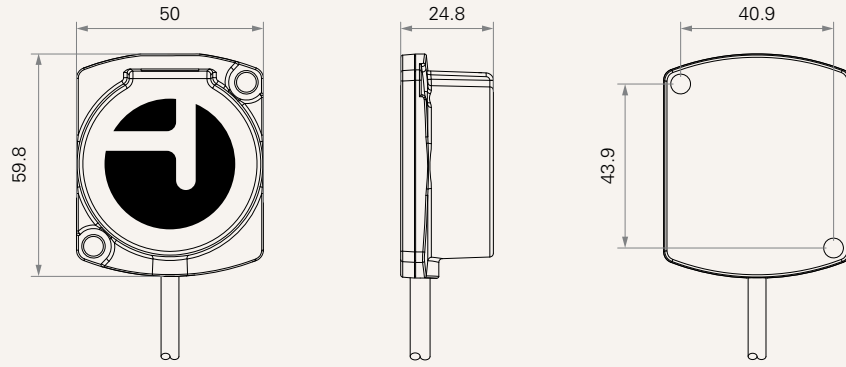
Add-on accessory - upgrade protection at anytime

Prolonged product life

Allows for linking of multiple TCS1's for complex work surface designs

**Drawing**

Standard Dimensions  
(mm)



TCS1

Version: 20220223-C

---

<b>Color</b>	1 = Black
--------------	-----------

---

<b>Cable Length (mm)</b>	1 = Straight, 500
--------------------------	-------------------

---

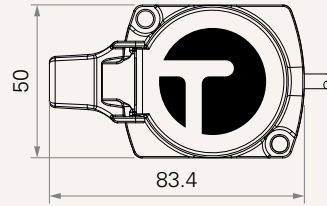
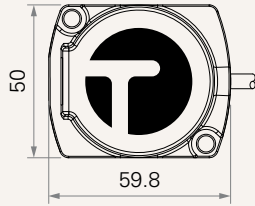
<b>Anti-pulling Clip</b>	0 = Without, standard	1 = With
--------------------------	-----------------------	----------

[See page 4](#)

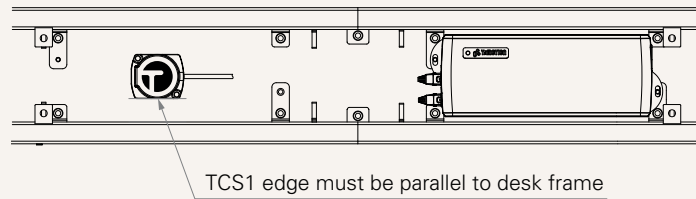
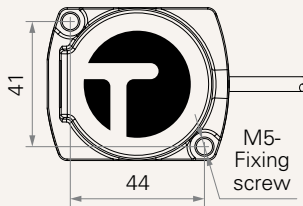
## Anti-pulling Clip

0 = Without, standard

1 = With



## Installation Note



## Terms of Use

The user is responsible for determining the suitability of TiMOTION products for a specific application. TiMOTION products are subject to change without prior notice.