

# TC23

series



---

## Product Segments

- **Comfort Motion**

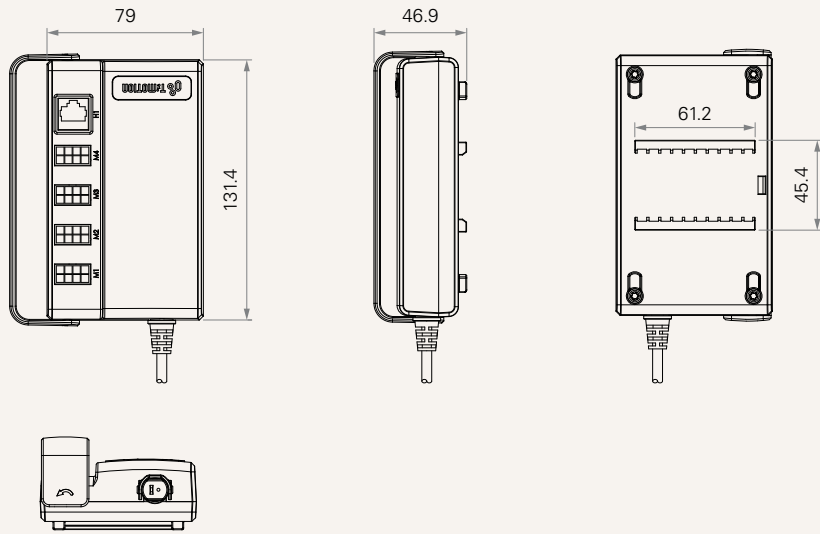
---

## General Features

Number of motors	1~4
Max. output	24V DC, 5A
Input Voltage	24V DC
Certificate	IEC60335, FCC, EN60529
Color	Black or grey
Wireless module	

**Drawing**

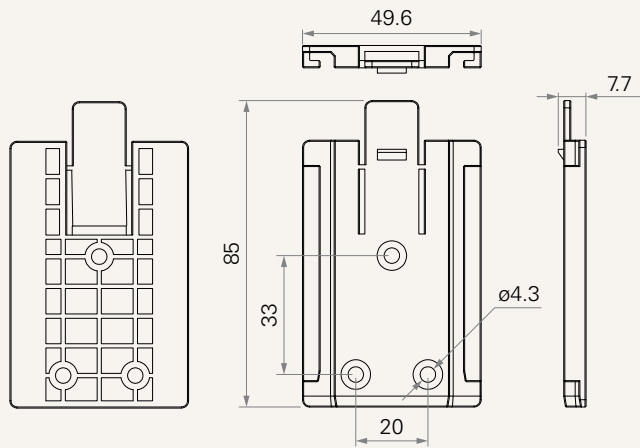
Standard Dimensions  
(mm)



<b>Model Selection</b>	1 = Standard			
<b>Voltage</b>	B = 24V DC input (24V~36V); compatible with TP power supply			
<b>MCU</b>	1 = With			
<b>Wireless Module</b>	0 = Without	R = 315 MHz	F = 433 MHz	
<b>Number of Actuators</b>	1 = 1	2 = 2	3 = 3	4 = 4
<b>Number of Controls</b>	1 = 1			
<b>DC Input Plug</b>	1 = DIN 4P	3 = Long DIN 5P	7 = Small 01P	
<b>DC Cable Length (mm)</b>	1 = Straight, 1000	2 = Straight, 1500	3 = Straight, 2000	
<b>Plug Guard</b>	1 = With			
<b>Color</b>	1 = Black	2 = Pantone 428C		
<b>Mounting</b>	0 = Without	3 = Fixed by Plactic bracket		
<a href="#">See page 4</a>				
<b>IP Rating</b>	1 = Without			

## Mounting

3 = Fixed by Plastic bracket



## Terms of Use

The user is responsible for determining the suitability of TiMOTION products for a specific application. TiMOTION products are subject to change without prior notice.