

TC21

series



Product Segments

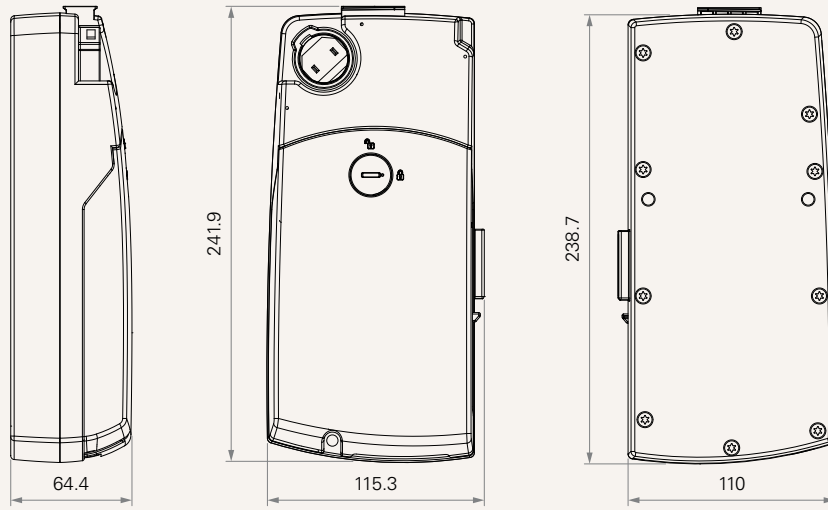
- **Care Motion**

General Features

Number of motors	1~5
Number of controls	1~2
Max. output	32V DC, 10A
IP rating	IP66W
Input voltage	100-240V AC
Built-in transformer type	SMPS
Certificate	IEC60601-1, IEC60601-1-2
Color	Black or grey
Operational temperature range	+5°C~+45°C
Compatible with TRF2- wireless receiver, TRL-reading light, or TBL- bed bottom light	

Drawing

Standard Dimensions
(mm)



Input Voltage	4 = 100~240V AC			
Transformer	7 = SPM-72MA; rated output current 8A 9 = SPM-120MA; rated output current 10A M = SPM-120MB; rated output current 10A. With Harmonic solution R = SPM-120MC; maximum output current 10A. EMC upgrade			
MCU	0 = Without	1 = With		
Number of Actuators	1 = 1 2 = 2	3 = 3 4 = 4	5 = 5	
Number of Controls	1 = 1	2 = 2		
Channel for TBB	0 = Without	1 = With		
Buzzer	0 = Without	1 = With		
Grounding	0 = Without	3 = On AC cable		
AC Plug	1 = EU 2 = US	3 = AU 4 = UK	5 = JP	
AC Plug Angle	1 = 90°	2 = 180°		
AC Female Plug Angle	1 = 90°			
AC Cable Length (mm)	0 = Without	3 = Straight, 2000	4 = Straight, 4000	
Cord Buckle	0 = Without	1 = With		
Color	1 = Black	2 = Grey (Pantone 428C)		
Fixation	1 = On the bed frame 4 = On the actuator (TA1)	6 = On the actuator (TA7) 7 = On the actuator (TA23)	8 = On the actuator (TA31)	
Cover Lock	1 = "—" type			
IP Rating	0 = Without	1 = IP54	2 = IP66	3 = IP66W

Terms of Use

The user is responsible for determining the suitability of TiMOTION products for a specific application. TiMOTION products are subject to change without prior notice.