

TBB9

series



Product Segments

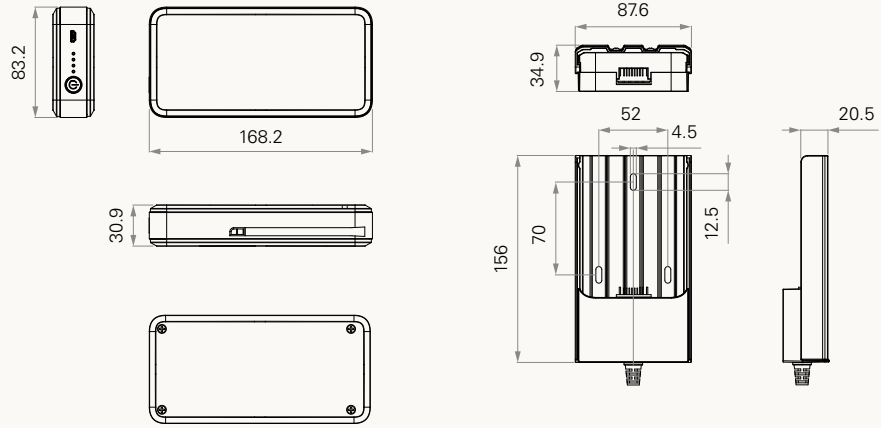
• Ergo Motion

General Features

Battery type	Lithium
Capacity	2.5Ah / 63Wh
Discharging voltage	25.2V DC
Charging voltage	30~36V DC
Max. output current	15A
Charging current	1A (charging cradle), 0.3A(Micro USB)
Color	Black
Weight	490g (without charging cradle)
Ambient conditions during operation	0°C~+40°C at 10%~85% relative humidity
Storage temperature	0°C~+45 °C
Certificate	IEC62133-2:2017
Thermal switch and overcurrent protection	
LED indicator and buzzer for battery capacity status	

Drawing

Standard Dimensions
(mm)



TBB9

Version: 20200727-C

Capacity	1 = 2.5Ah / 15A / 25.2VDC			
Color of Battery	1 = Black			
Logo	0 = Without	1 = TiMOTION		
On / Off Switch	1 = With			
Buzzer	1 = With			
Charging Cradle	0 = Without	1 = With, Black		
Plug	0 = Without	1 = Din 4pin	9 = Molex 4pin	B = Small 01P
Cable Length (mm)	0 = Without	1 = Straight, 1000	2 = Straight, 1500	

Terms of Use

The user is responsible for determining the suitability of TiMOTION products for a specific application. TiMOTION products are subject to change without prior notice.