

TAD1

series



Product Segments

- **Industrial Motion**

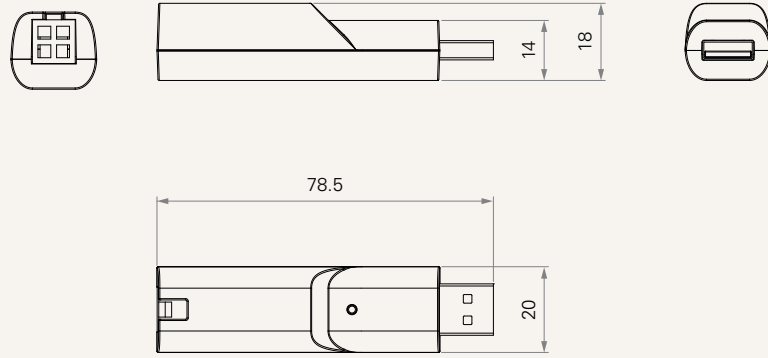
The TAD1 is a dongle adapter designed for industrial applications. This adapter connects with industrial actuators (with MCU) through the PGMA and PGVN software on the computers.

General Features

Designed for industrial applications

Drawing

Standard Dimensions
(mm)



TAD1

Version: 20230801-C

Model	M = MA	V = VN1-DC	W = VN1-AC	D = TID
Connecting Wire Length (m)	1 = Straight, 1			

Terms of Use

The user is responsible for determining the suitability of TiMOTION products for a specific application. TiMOTION products are subject to change without prior notice.