



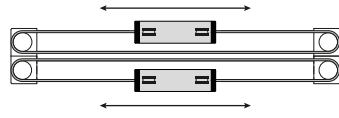
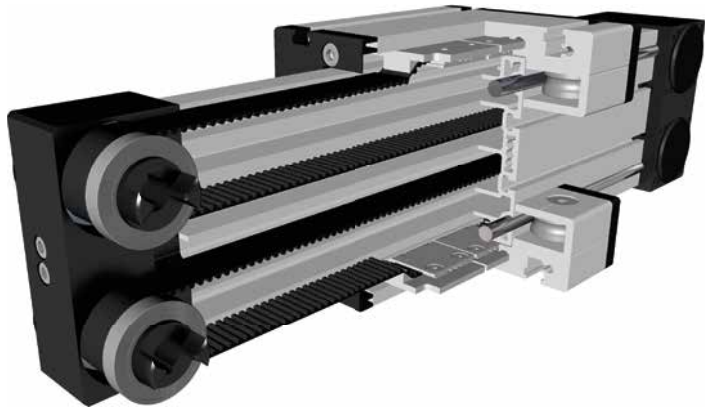


Linear system **MLZD 60 (S) W**

BELT DRIVE - TWO SEPARATELY DRIVEN CARRIAGES

-  HIGHER PROFILE STABILITY
-  INDEPENDENT CARRIAGES
-  HIGHER FORCE FIXTURE
-  INDEPENDENT INSTALLATION POSITION



5.1

Function:

The guide body consists of an aluminium square profile with lateral, parallel, form-fit, internal hardened steel rods. Two guide carriages, each with its own drive, move along the guide body. The timing belt is guided within the profile, so that it is independent of the mounting position. Due to the high rectangular profile high torques and loads can be taken up. In addition, a very high stability is ensured for long axis systems. The toothed pulleys have maintenance-free ball bearings. The belt tension can be easily readjusted via a tensioning device within the carriage. This device also helps to adjust the symmetry of the carriages in applications where two parallel linear units are used.

Fitting position:

As required, max. length 6.000 mm without joints.

Carriage mounting:

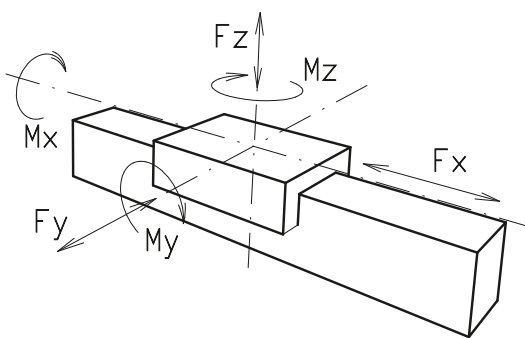
By T-slots.

Unit mounting:

By T-slots or tapped holes in the bearing block, mounting sets.

Belt type:

HTD with steel reinforcement, no backlash when changing direction, repeatability: ± 0,1 mm.

Forces and torques	Size	60		60 S	
	Forces/Torques	static	dynamic	static	dynamic
	F_x (N)	894	800	894	800
	F_y (N)	3000	2000	4100	3100
	F_z (N)	1700	1100	2160	1600
	M_x (Nm)	67	43	88	65
	M_y (Nm)	90	70	190	140
	M_z (Nm)	120	100	230	170
	All forces and torques relate to the following: existing values $\frac{F_y}{F_{y_{dyn}}} + \frac{F_z}{F_{z_{dyn}}} + \frac{M_x}{M_{x_{dyn}}} + \frac{M_y}{M_{y_{dyn}}} + \frac{M_z}{M_{z_{dyn}}} \leq 1$ table values				
No-load torque					
Nm	0,6		0,7		
Speed					
(m/s) max	5		7		
Tensile force					
permanent (N)	900		900		
0,2 s (N)	1000		1000		
Geometrical moments of inertia of aluminium profile					
I_x mm ⁴	2,8 x 10 ⁶		2,8 x 10 ⁶		
I_y mm ⁴	9,6 x 10 ⁵		9,6 x 10 ⁵		
E-Modulus N/mm ²	70000		70000		

For life-time calculation of rollers use our homepage.

Driving torque:

$$M_o = \frac{F \cdot P \cdot S_i}{2000 \cdot \pi} + M_n$$

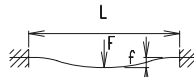
$$P_o = \frac{M_o \cdot n}{9550}$$

- F = force (N)
- P = pulley action perimeter (mm)
- S_i = safety factor 1,2 ... 2
- M_n = no-load torque (Nm)
- n = rpm pulley (min⁻¹)
- M_o = driving torque (Nm)
- P_o = motor power (KW)

Deflection:

$$f = \frac{F \cdot L^3}{E \cdot I \cdot 192}$$

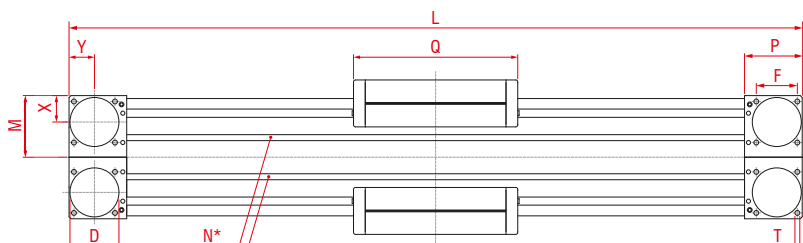
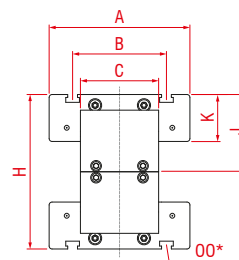
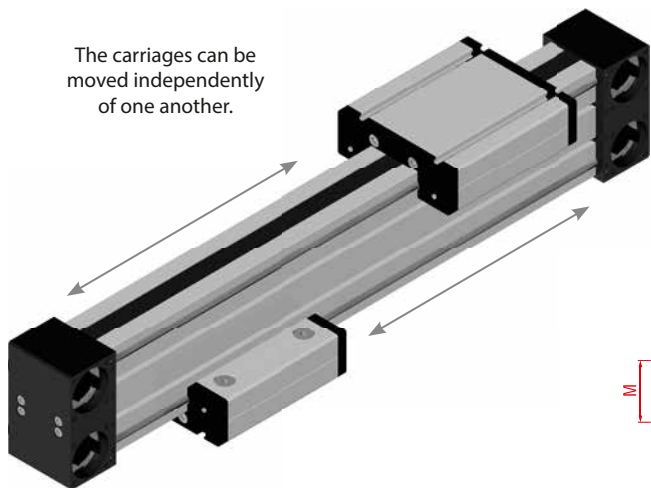
- f = deflection (mm)
- F = load (N)
- L = free length (mm)
- E = elastic modulus 70000 (N/mm²)
- I = second moment of area (mm⁴)



Linear system **MLZD 60 (S) W**

Dimensions (mm)

The carriages can be moved independently of one another.



5.1

*For slide nuts refer to chapter 2.2 page 2

Increasing the carriage length will increase the basic length by the same amount.

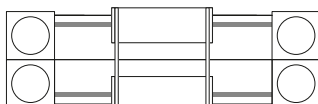
Size	Basic length L	A	B	C	D -0,05	F	H	J	K	M	N for	OO for	P	Q	T	X	Y	Basic weight	Weight per 100 mm
MLZD 60 W	290	144	96	80	47	42	158	79	48	71	M5	M8	59	168	M6	27	26	9,3 kg	1,0 kg
MLZD 60S W	315	170	108	80	47	42	166	83	52	71	M5	M8	59	194	M6	27	26	11,3 kg	1,0 kg

0 Choice of guide body profile:

- (0) Standard (2) corrosion-protected guide rods and screws
- (4) expanded corrosion-protected version (depending on the availability of components)

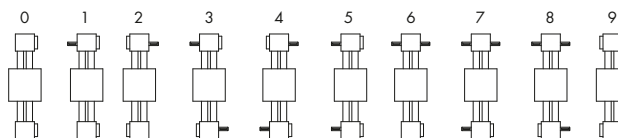
0 Choice of carriages:

(0)

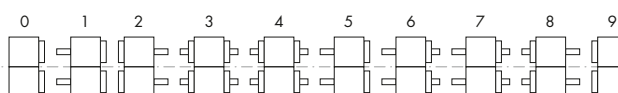


0 Drive version:

(0)

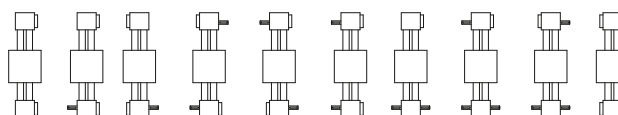


Top drive version:
Version 9 is the same as 0, but with double sided coupling claw.



Mirror plane
Drive version (top and bottom identical)

(0)



Bottom drive version:
Version 9 is the same as 0, but with double sided coupling claw.

Belt table

Code No.	Size	Belt	mm/rev.	Number of teeth
0 4	60 (S)	5M25	130	26

* effective toothed belt width

Shaft dimensions / Coupling claw

Size	Shaft \varnothing h6 x length	Key	Coupling
60 (S)	14 x 35	5x5x28	14

MLZD 60 W 1 0 0 0 0 4 1 1500

Pos. 1 2 3 4 5 6 7

Basic length + stroke = total length

For combination kits and connecting elements refer to chapter 2.2

Sample ordering code:

MLZD 60 W, standard body profile, standard carriage, coupling claw on one side, 1210 mm stroke

