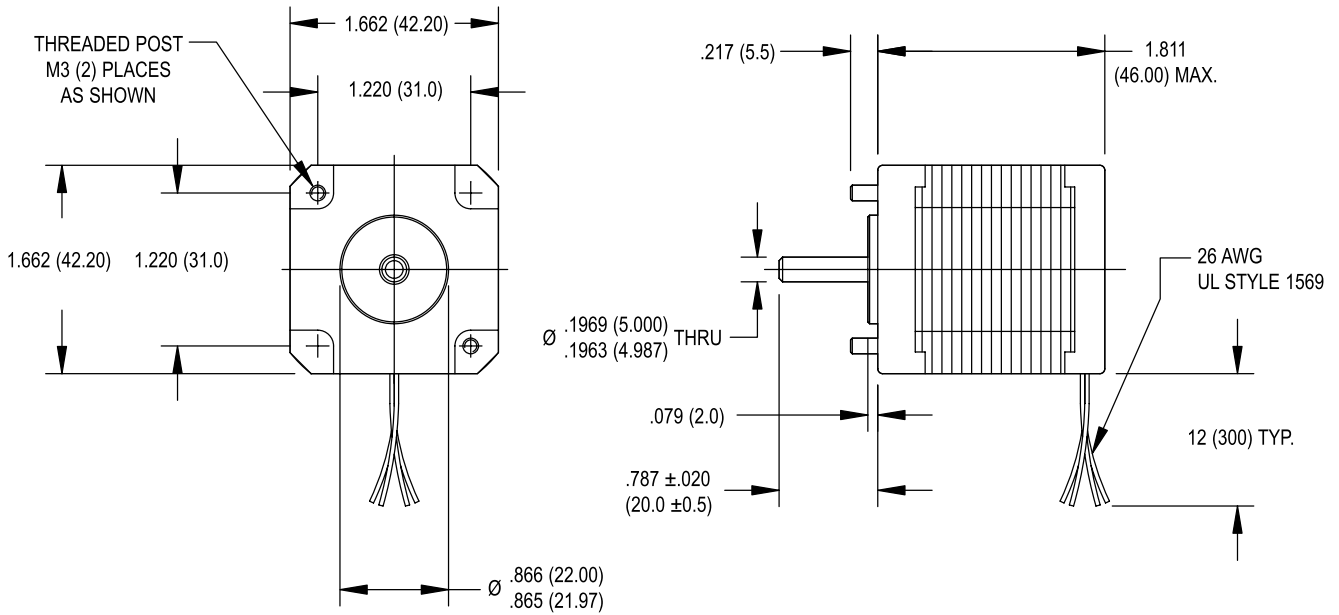
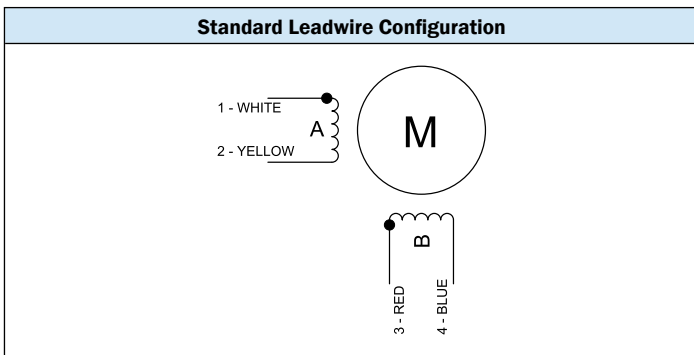
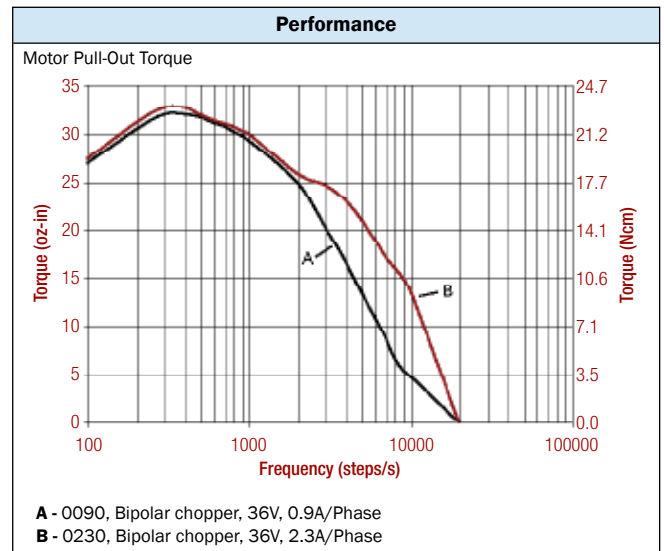


SIZE 17 STEPPER MOTOR DATA



Specification	Units	HY 200 1718	
		0090	0230
Rated Phase Current	A	0.90	2.30
Phase Resistance	Ω	4.2	0.72
Phase Inductance	mH	5.8	0.83
Holding Torque Unipolar	oz-in Ncm	—	—
Holding Torque Bipolar	oz-in Ncm	41.1 29.0	41.1 29.0
Detent Torque	oz-in Ncm	6.4 4.5	6.4 4.5
Rotor Inertia	oz-in-s ² $\times 10^{-4}$ g-cm ²	5.1 36	5.1 36
Motor Weight (Mass)	lb kg	0.7 0.3	0.7 0.3
Maximum Voltage	V	40	40
Std. No. of Leads	—	4	4



- Standard Features**
- Step angle: 1.8°
 - Step angle accuracy: 5%
 - Insulation class: B (130 °C)
 - NEMA 17 mounting configuration
 - Neodymium magnets
 - Additional windings and customization options available

- Complementary Products**
- Gearboxes
 - Encoders