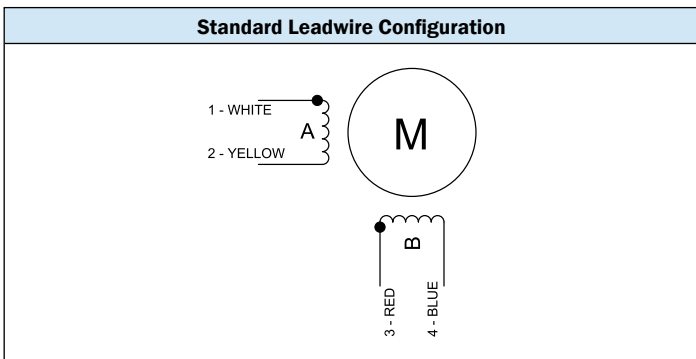
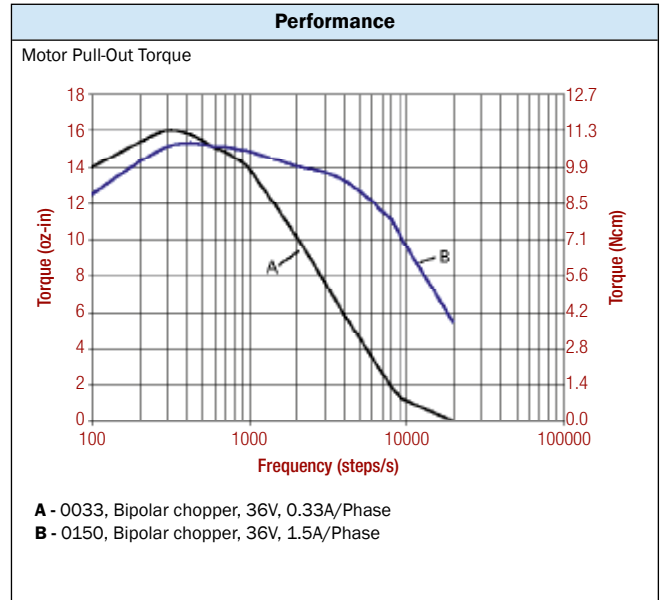


Specification	Units	HY 200 1713	
		0033	0150
Rated Phase Current	A	0.33	1.50
Phase Resistance	Ω	23.9	1.0
Phase Inductance	mH	28.9	1.2
Holding Torque Unipolar	oz-in	—	—
	Ncm	—	—
Holding Torque Bipolar	oz-in	19.4	18.4
	Ncm	13.7	13.0
Detent Torque	oz-in	2.4	2.4
	Ncm	1.7	1.7
Rotor Inertia	oz-in-s ² x10 ⁻⁴	2.5	2.5
	g-cm ²	18	18
Motor Weight (Mass)	lb	0.4	0.4
	kg	0.2	0.2
Maximum Voltage	V	40	40
Std. No. of Leads	—	4	4



- Standard Features**
- Step angle: 1.8°
 - Step angle accuracy: 5%
 - Insulation class: B (130 °C)
 - NEMA 17 mounting configuration
 - Neodymium magnets
 - Additional windings and customization options available

- Complementary Products**
- Gearboxes
 - Encoders