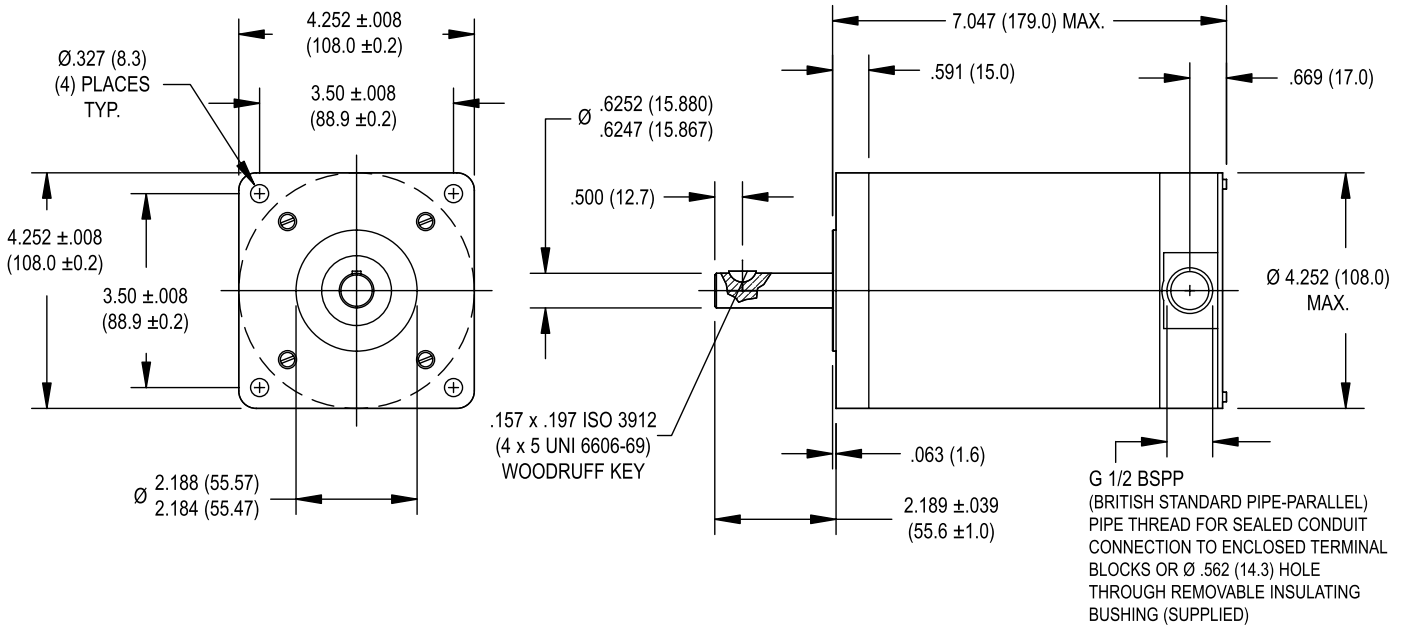
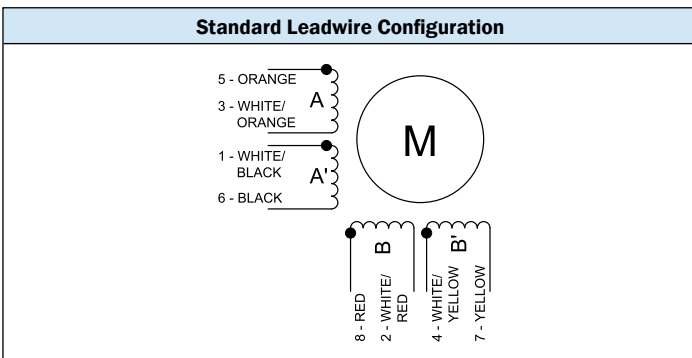
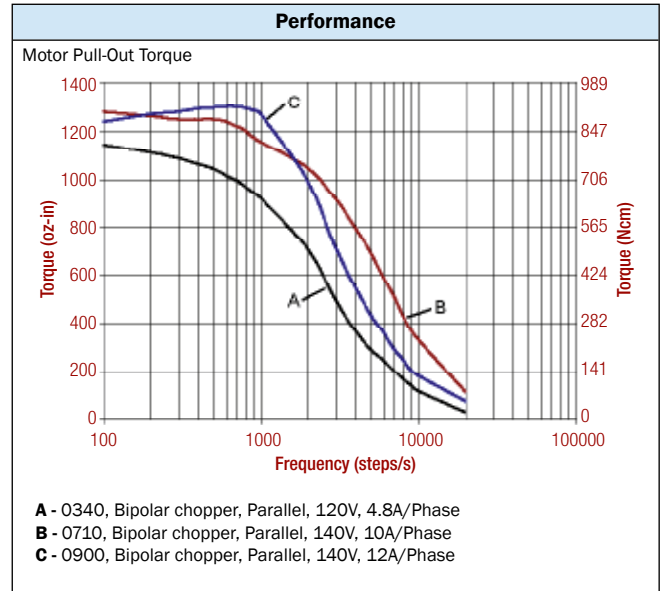


# SIZE 42 STEPPER MOTOR DATA



| Specification           | Units  | HY 200 4270 |              |              |
|-------------------------|--|-------------|--------------|--------------|
|                         |  | 0340        | 0710         | 0900         |
| Rated Phase Current     | A  | 3.40        | 7.10         | 9.00         |
| Phase Resistance        | $\Omega$   | 1.1         | 0.30         | 0.34         |
| Phase Inductance        | mH   | 6.3         | 2.0          | 2.7          |
| Holding Torque Unipolar | oz-in<br>Ncm   | 1130<br>798 | 1175<br>830  | 1450<br>1024 |
| Holding Torque Bipolar  | oz-in<br>Ncm   | 1402<br>990 | 1459<br>1030 | 1798<br>1270 |
| Detent Torque           | oz-in<br>Ncm   | 99<br>70    | 99<br>70     | 99<br>70     |
| Rotor Inertia           | oz-in-s <sup>2</sup> $\times 10^{-4}$<br>g-cm <sup>2</sup> | 779<br>5500 | 779<br>5500  | 779<br>5500  |
| Motor Weight (Mass)     | lb<br>kg   | 16<br>7.3   | 16<br>7.3    | 16<br>7.3    |
| Maximum Voltage         | V  | 140         | 140          | 140          |
| Std. No. of Leads       | —  | 8           | 8            | 8            |



- Standard Features**
- Step angle: 1.8°
  - Step angle accuracy: 5%
  - Insulation class: B (130°C)
  - NEMA 42 mounting configuration
  - AlNiCo magnets
  - Additional windings and customization options available

- Complementary Products**
- Gearboxes
  - Encoders