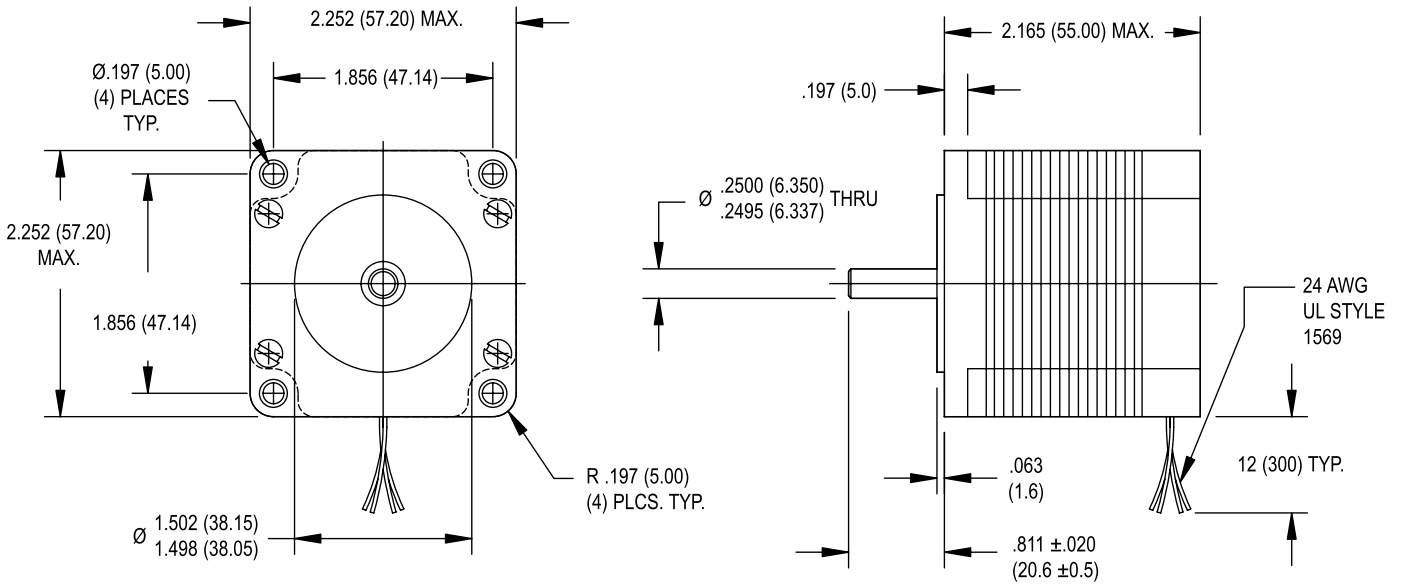
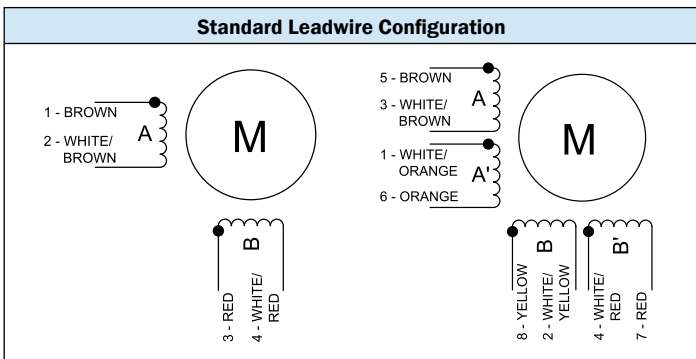
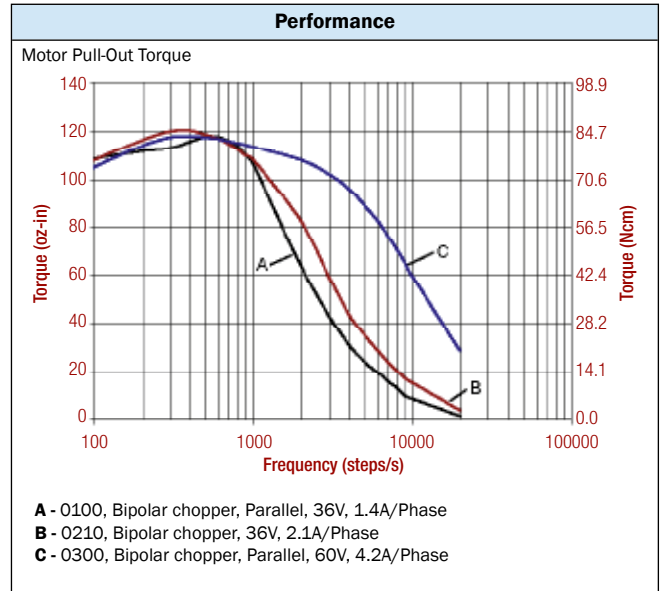


SIZE 23 HIGH PERFORMANCE STEPPER MOTOR DATA



Specification	Units	HS 200 2221		
		0100	0210	0300
Rated Phase Current	A	1.00	2.10	3.00
Phase Resistance	Ω	6.2	1.4	0.7
Phase Inductance	mH	8.8	3.9	0.9
Holding Torque Unipolar	oz-in	106	—	106
	Ncm	75	—	75
Holding Torque Bipolar	oz-in	139	139	139
	Ncm	98	98	98
Detent Torque	oz-in	5.7	5.7	5.7
	Ncm	4.0	4.0	4.0
Rotor Inertia	oz-in-s ² x10 ⁻⁴	31	31	31
	g-cm ²	220	220	220
Motor Weight (Mass)	lb	1.5	1.5	1.5
	kg	0.70	0.70	0.70
Maximum Voltage	V	75	75	75
Std. No. of Leads	—	8	4	8



- ### Standard Features
- Step angle: 1.8°
 - Step angle accuracy: 5%
 - Insulation class: B (130 °C)
 - Optimized for microstep operation
 - NEMA 23 mounting configuration
 - AlNiCo magnets
 - Additional windings and customization options available

- ### Complementary Products
- Gearboxes
 - Encoders