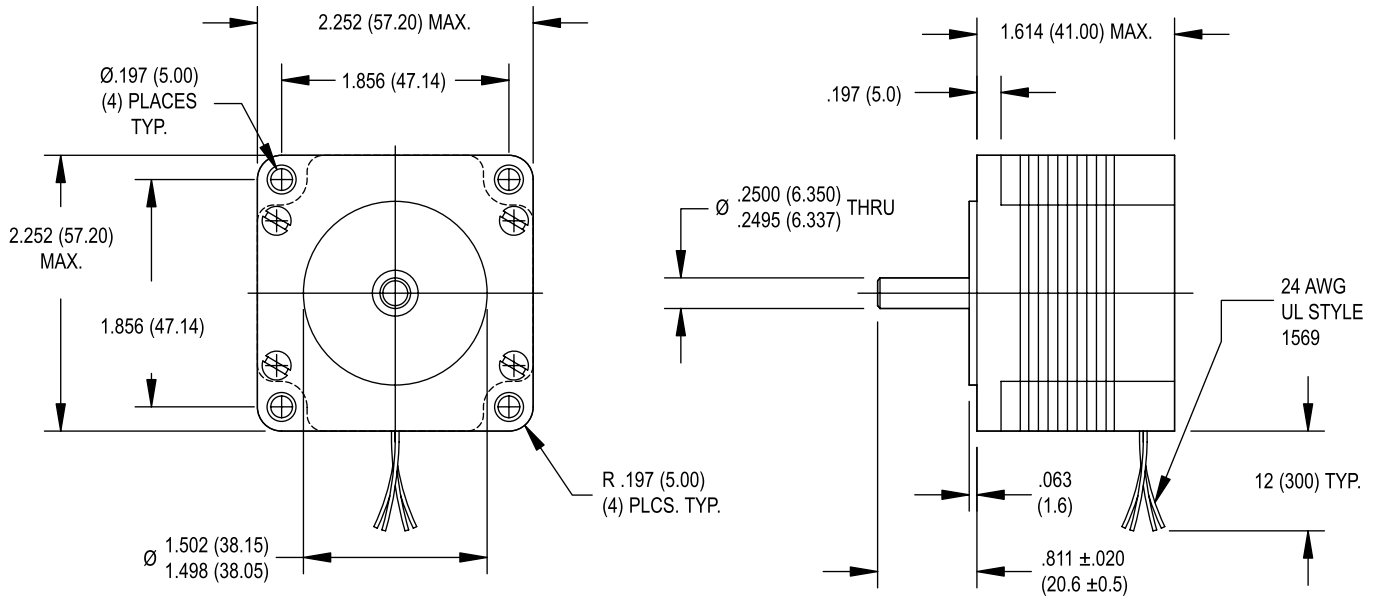
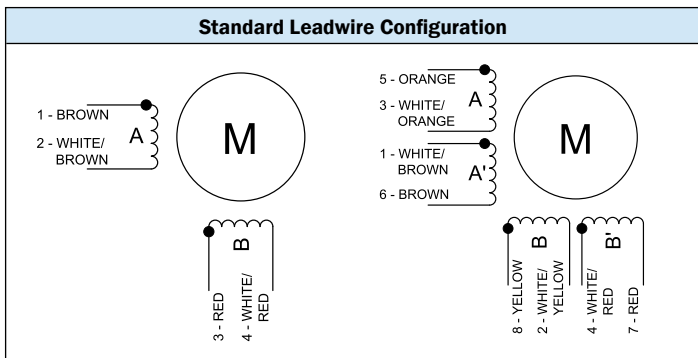
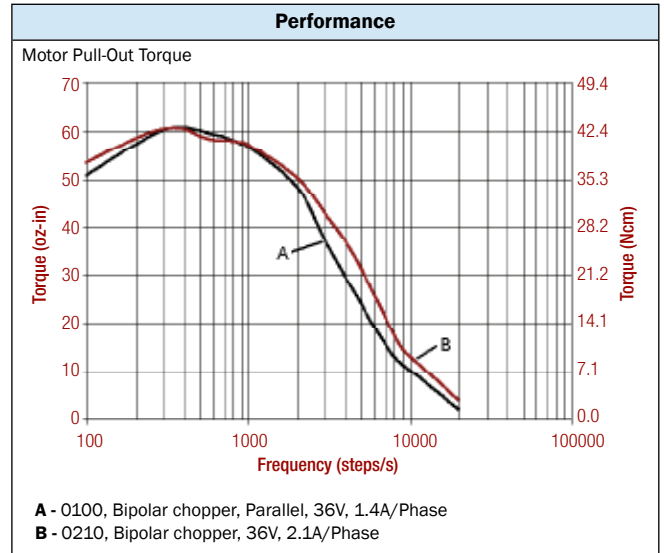


SIZE 23 HIGH PERFORMANCE STEPPER MOTOR DATA



Specification	Units	HS 200 2216	
		0100	0210
Rated Phase Current	A	1.00	2.10
Phase Resistance	Ω	4.6	1.0
Phase Inductance	mH	4.6	2.1
Holding Torque Unipolar	oz-in	52	—
	Ncm	37	—
Holding Torque Bipolar	oz-in	67	67
	Ncm	47	47
Detent Torque	oz-in	3.0	3.0
	Ncm	2.1	2.1
Rotor Inertia	oz-in-s ² x10 ⁻⁴	11	11
	g-cm ²	77	77
Motor Weight (Mass)	lb	1.1	1.1
	kg	0.50	0.50
Maximum Voltage	V	75	75
Std. No. of Leads	—	8	4



- Standard Features**
- Step angle: 1.8°
 - Step angle accuracy: 5%
 - Insulation class: B (130°C)
 - Optimized for microstep operation
 - NEMA 23 mounting configuration
 - Neodymium magnets
 - Additional windings and customization options available

- Complementary Products**
- Gearboxes
 - Encoders