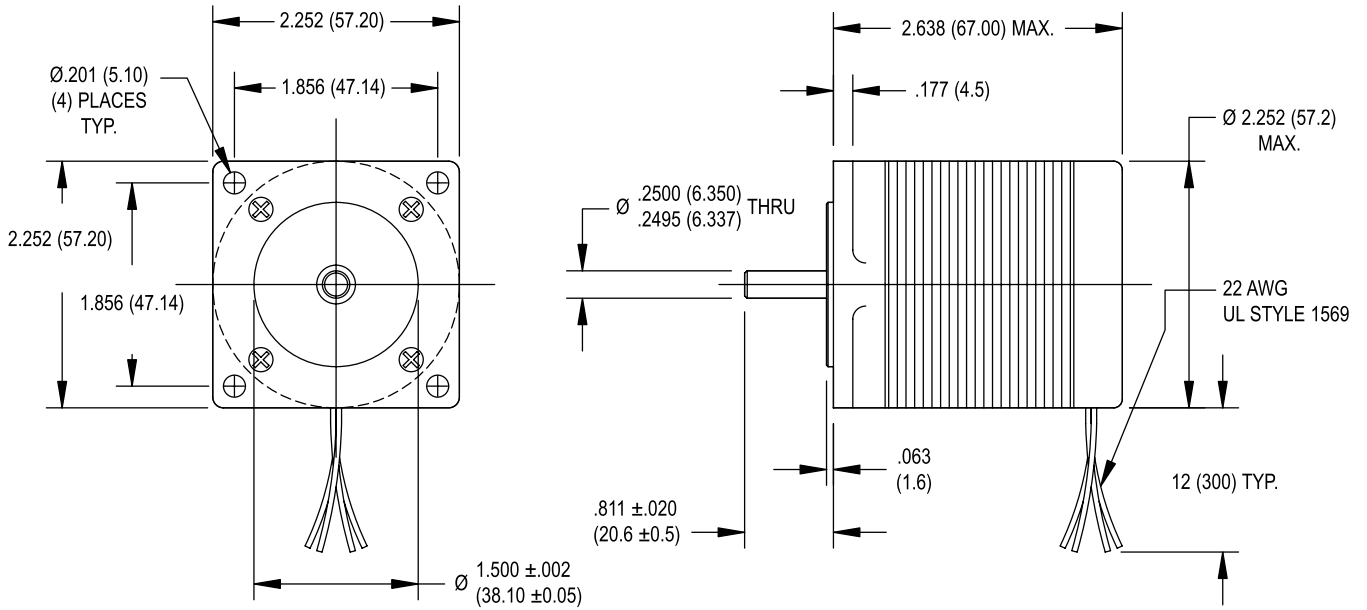
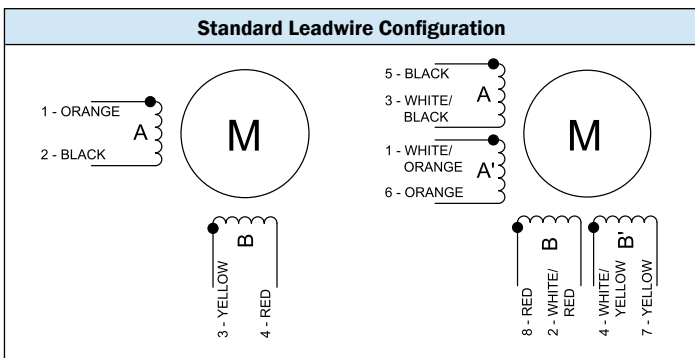
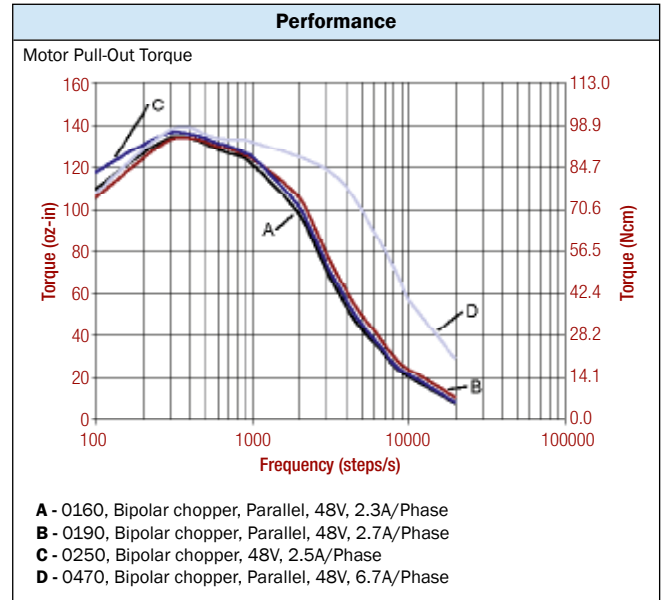


SIZE 23 STEPPER MOTOR DATA



Specification	Units	HY 200 2226			
		0160	0190	0250	0470
Rated Phase Current	A	1.60	1.90	2.50	4.70
Phase Resistance	Ω	2.6	1.8	1.1	0.33
Phase Inductance	mH	4.7	3.3	4.0	0.5
Holding Torque Unipolar	oz-in	123	126	—	123
	Ncm	87	89	—	87
Holding Torque Bipolar	oz-in	154	160	161	154
	Ncm	109	113	114	109
Detent Torque	oz-in	12.0	12.0	12.0	12.0
	Ncm	8.5	8.5	8.5	8.5
Rotor Inertia	oz-in-s ² x10 ⁻⁴	28	28	28	28
	g-cm ²	200	200	200	200
Motor Weight (Mass)	lb	1.5	1.5	1.5	1.5
	kg	0.70	0.70	0.70	0.70
Maximum Voltage	V	75	75	75	75
Std. No. of Leads	—	8	8	4	8



- ### Standard Features
- Step angle: 1.8°
 - Step angle accuracy: 5%
 - Insulation class: B (130 °C)
 - NEMA 23 mounting configuration
 - Neodymium magnets
 - Additional windings and customization options available

- ### Complementary Products
- Gearboxes
 - Encoders